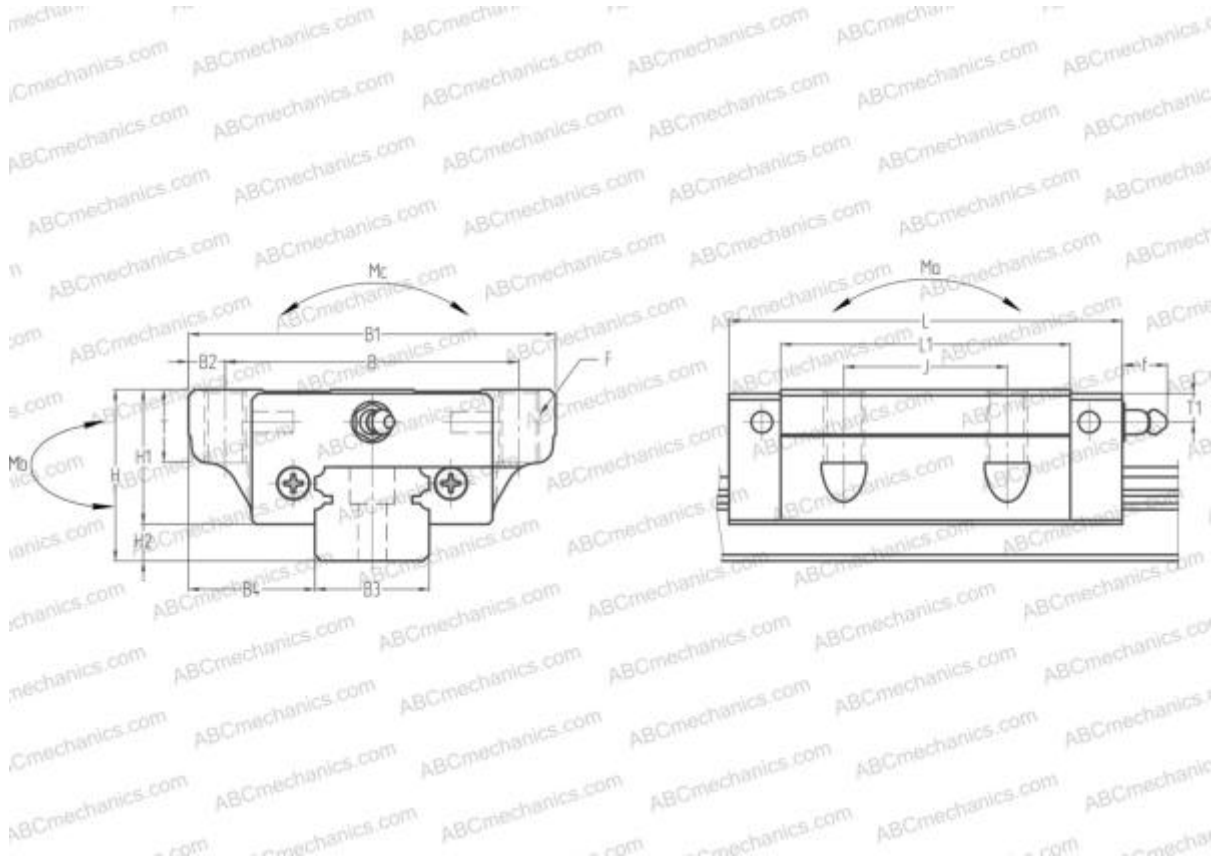


SAS25EL NSK

Linear guides

TYPE: Monorail guidance systems, Recirculating balls, High vertical load carrying capacity type, Self-aligning type, Flanged type, Low, Ball slide length - standard, Mounting tap, Compact, Low noise, smooth operation type, Interchangeable part



Technical specification

DIMENSIONS, MM

B1	73,000
H	33,000
L	81,600
B	60,000
J	35,000
L1	60,000
D2	11,500
B2	6,500
B3	23,000
B4	25,000
H1	26,000
H2	7,000
T	11,000
T1	7,000
f	11,000

DIMENSIONS, MM

F	M8x1.25x12
---	------------

SLIDE WEIGHT 0,660

MANUFACTURER [NSK](http://www.nsk.com)

CALCULATION DATA

Basic dynamic load rating, C	13,700 kN
Basic static load rating, Co	27,000 kN
Static permissible moment, Ma	0,196 kN-m
Static permissible moment, Mb	0,186 kN-m
Static permissible moment, Mc	0,235 kN-m