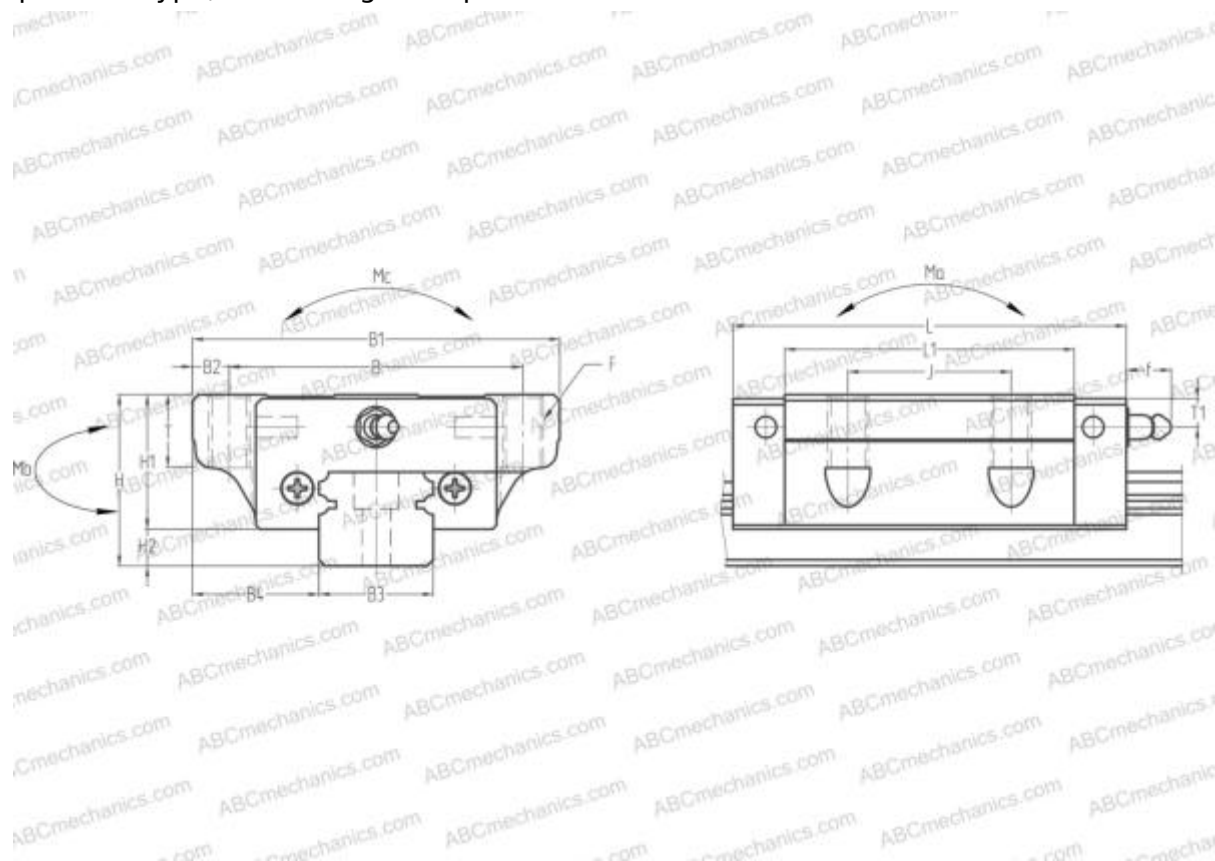


SAS30EL NSK

Linear guides

TYPE: Monorail guidance systems, Recirculating balls, High vertical load carrying capacity type, Self-aligning type, Flanged type, Low, Ball slide length - standard, Mounting tap, Compact, Low noise, smooth operation type, Interchangeable part



Technical specification

DIMENSIONS, MM

B1	90,000
H	42,000
L	96,400
B	72,000
J	40,000
L1	71,000
D2	14,000
B2	9,000
B3	28,000
B4	31,000
H1	33,000
H2	9,000
T	11,000
T1	8,000
f	11,000

DIMENSIONS, MM

F	M10x1.5x18
---	------------

SLIDE WEIGHT 1,200

MANUFACTURER [NSK](#)

CALCULATION DATA

Basic dynamic load rating, C	22,300 kN
Basic static load rating, Co	39,200 kN
Static permissible moment, Ma	0,323 kN-m
Static permissible moment, Mb	0,323 kN-m
Static permissible moment, Mc	0,441 kN-m