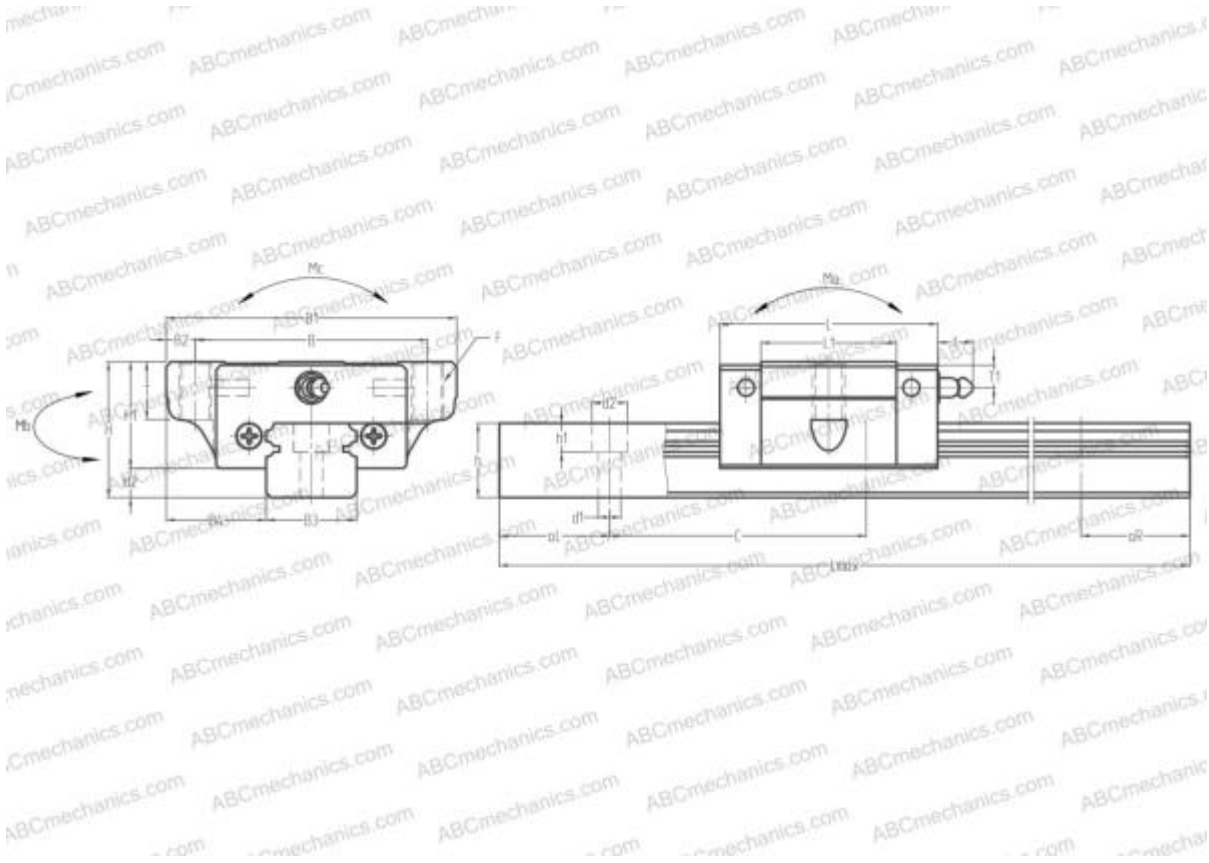


SS20JL NSK

Linear guides

TYPE: Monorail guidance systems, Recirculating balls, High vertical load carrying capacity type, Self-aligning type, Flanged type, Low, Ball slide length - short, Mounting tap, Compact, Low noise, smooth operation type



Technical specification

DIMENSIONS, MM

| | |
|----|--------|
| B1 | 59,000 |
| H | 28,000 |
| L | 47,200 |
| B | 49,000 |
| L1 | 30,000 |
| D2 | 10,000 |
| B2 | 5,000 |
| B3 | 20,000 |
| B4 | 19,500 |
| H1 | 22,000 |
| H2 | 6,000 |
| T | 10,000 |
| T1 | 5,500 |
| f | 11,000 |
| C | 60,000 |

DIMENSIONS, MM

| | |
|-------|----------|
| d1 | 6,000 |
| d2 | 9,500 |
| h | 15,500 |
| h1 | 8,500 |
| L max | 3960,000 |
| aL | 20,000 |
| aR | 20,000 |
| F | M6x1x10 |

WEIGHT

| | |
|--------------|-------|
| Slide weight | 0,240 |
| Rail weight | 2,300 |

MANUFACTURER

[NSK](#)

INTERCHANGE

| | |
|-----|------------------------|
| ABC | SS20JL |
|-----|------------------------|

CALCULATION DATA

| | |
|-------------------------------|------------|
| Basic dynamic load rating, C | 6,050 kN |
| Basic static load rating, Co | 10,700 kN |
| Static permissible moment, Ma | 0,029 kN-m |
| Static permissible moment, Mb | 0,029 kN-m |
| Static permissible moment, Mc | 0,069 kN-m |