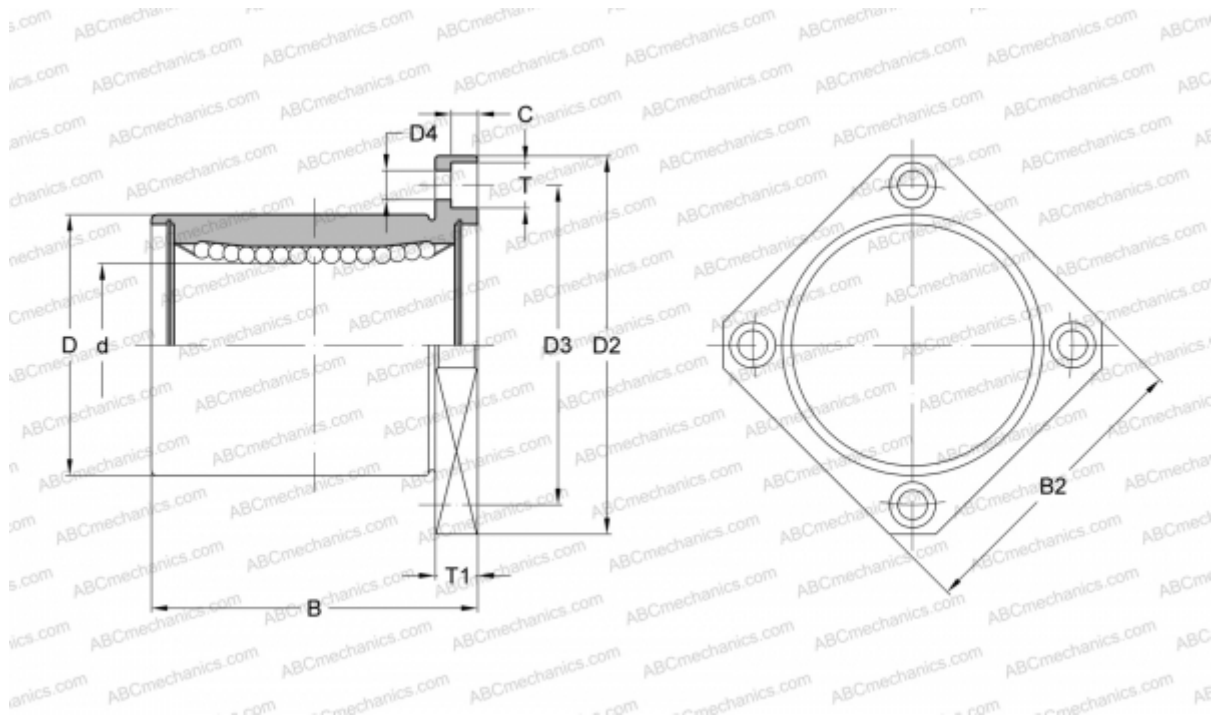


SMK 13 NB

Linear bushing

TYPE: Shaft guidance systems, Linear bushing, With flange, Square type, Type SMK, Asian standard, Steel cage (NB)



Technical specification

DIMENSIONS, MM

d	13,000
D	23,000
B	32,000
D_2	43,000
D_3	33,000
D_4	4,500
B_2	34,000
T	7,500
T_1	6,000
C	4,100

WEIGHT, KG 0,072

MANUFACTURER [NB](#)