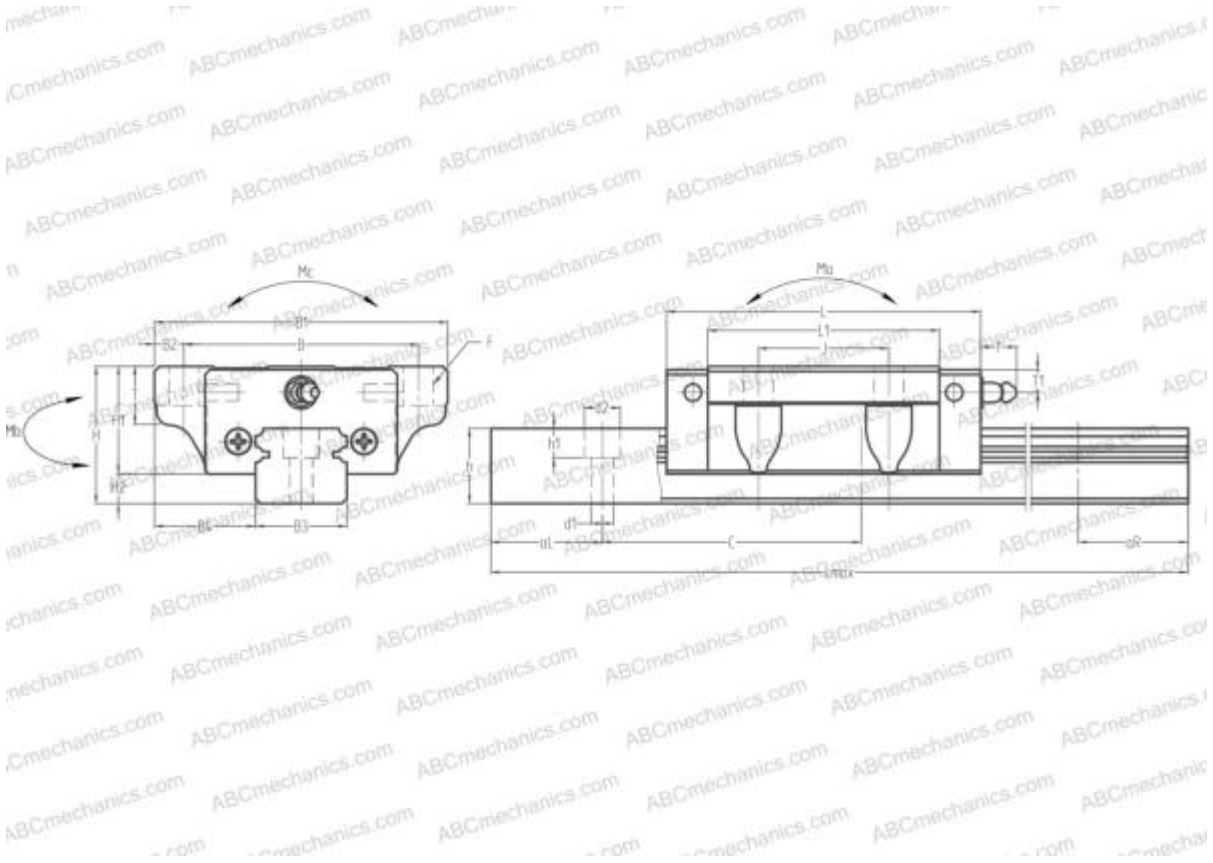


## SS20FL ABC

Linear guides

TYPE: Monorail guidance systems, Recirculating balls, High vertical load carrying capacity type, Self-aligning type, Flanged type, Low, Ball slide length - standard, Mounting bolt hole, Compact, Low noise, smooth operation type



### Technical specification

**DIMENSIONS, MM**

B1	59,000
H	8,500
L	65,200
B	49,000
J	32,000
L1	48,000
D2	10,000
B2	5,000
B3	20,000
B4	19,500
H1	22,000
H2	6,000
T	10,000
T1	5,500
f	11,000

**INTERCHANGE**

THK	<a href="#">SSR20XTB</a>
IKO	<a href="#">LWE20..Q</a>

**DIMENSIONS, MM**

C	60,000
d1	6,000
d2	9,500
h	15,500
h1	8,500
L max	3960,000
aL	20,000
aR	20,000
F	5.5x9

**WEIGHT**

Slide weight	0,350
Rail weight	2,300

**MANUFACTURER**[ABC](#)**INTERCHANGE**

NSK	<a href="#">SS20FL</a>
-----	------------------------