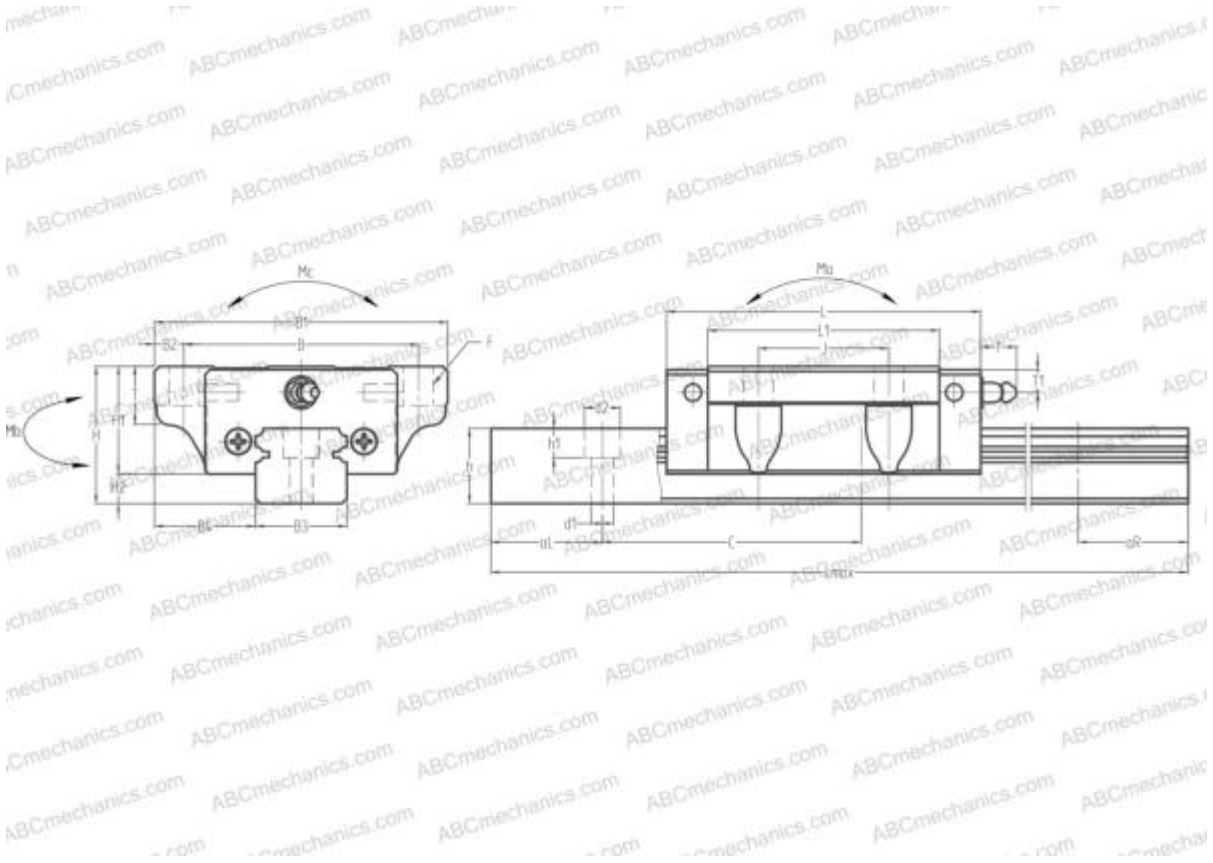


SS20FL NSK

Linear guides

TYPE: Monorail guidance systems, Recirculating balls, High vertical load carrying capacity type, Self-aligning type, Flanged type, Low, Ball slide length - standard, Mounting bolt hole, Compact, Low noise, smooth operation type



Technical specification



DIMENSIONS, MM

B1	59,000
H	8,500
L	65,200
B	49,000
J	32,000
L1	48,000
D2	10,000
B2	5,000
B3	20,000
B4	19,500
H1	22,000
H2	6,000
T	10,000
T1	5,500
f	11,000

INTERCHANGE

THK	SSR20XTB
IKO	LWE20..Q

CALCULATION DATA

Basic dynamic load rating, C	8,500 kN
Basic static load rating, Co	16,100 kN
Static permissible moment, Ma	0,088 kN-m
Static permissible moment, Mb	0,088 kN-m
Static permissible moment, Mc	0,118 kN-m

INCLUDED PRODUCTS

SAS20FL

DIMENSIONS, MM

C	60,000
d1	6,000
d2	9,500
h	15,500
h1	8,500
L max	3960,000
aL	20,000
aR	20,000
F	5.5x9

WEIGHT

Slide weight	0,350
Rail weight	2,300

MANUFACTURER

[NSK](#)

INTERCHANGE

ABC	SS20FL
-----	------------------------

