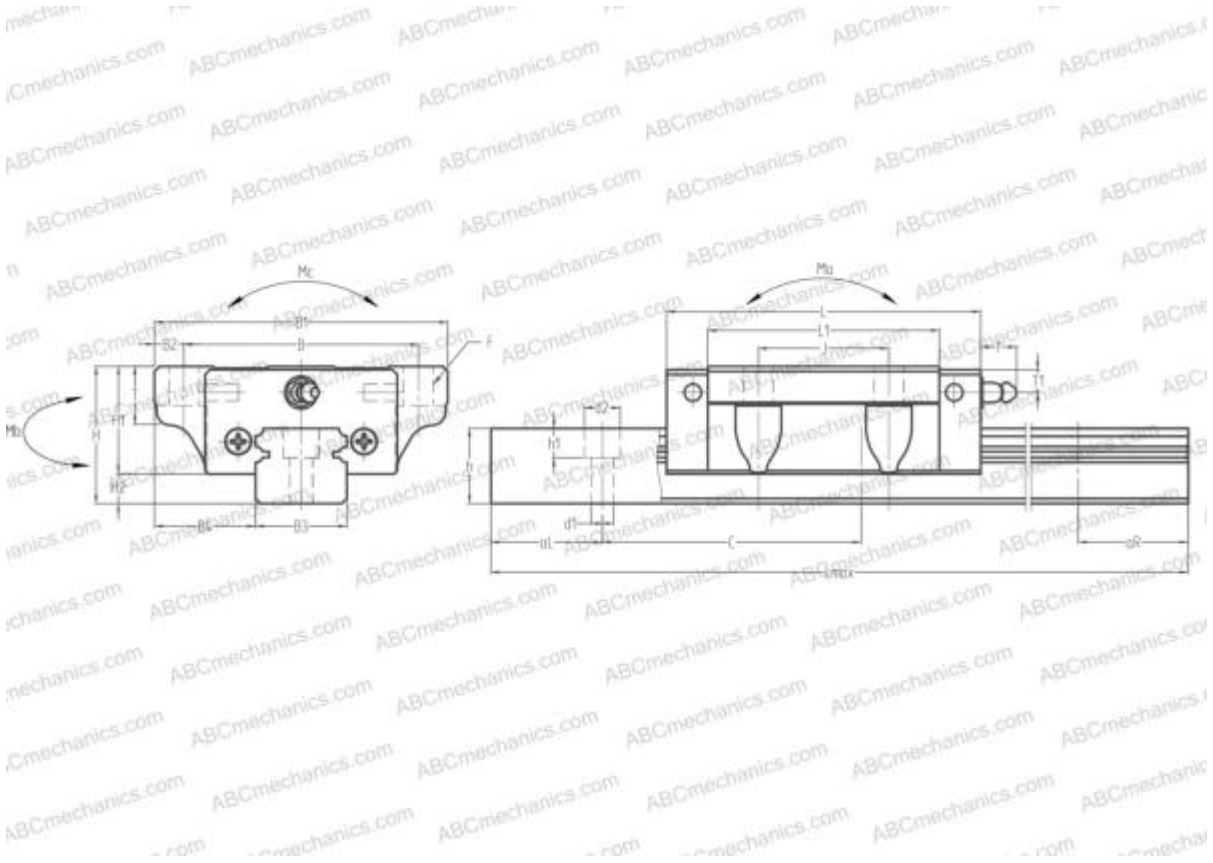


## LWE20..Q IKO

Linear guides

TYPE: Monorail guidance systems, Recirculating balls, High vertical load carrying capacity type, Self-aligning type, Flanged type, Low, Ball slide length - standard, Mounting bolt hole, Compact, Low noise, smooth operation type



### Technical specification



## DIMENSIONS, MM

|    |        |
|----|--------|
| B1 | 59,000 |
| H  | 8,500  |
| L  | 65,200 |
| B  | 49,000 |
| J  | 32,000 |
| L1 | 48,000 |
| D2 | 10,000 |
| B2 | 5,000  |
| B3 | 20,000 |
| B4 | 19,500 |
| H1 | 22,000 |
| H2 | 6,000  |
| T  | 10,000 |
| T1 | 5,500  |
| f  | 11,000 |

## INTERCHANGE

|     |                          |
|-----|--------------------------|
| NSK | <a href="#">SS20FL</a>   |
| THK | <a href="#">SSR20XTB</a> |

## DIMENSIONS, MM

|       |          |
|-------|----------|
| C     | 60,000   |
| d1    | 6,000    |
| d2    | 9,500    |
| h     | 15,500   |
| h1    | 8,500    |
| L max | 3960,000 |
| aL    | 20,000   |
| aR    | 20,000   |
| F     | 5.5x9    |

## WEIGHT

|              |       |
|--------------|-------|
| Slide weight | 0,350 |
| Rail weight  | 2,300 |

## MANUFACTURER

[IKO](#)

## INTERCHANGE

|     |                        |
|-----|------------------------|
| ABC | <a href="#">SS20FL</a> |
|-----|------------------------|

