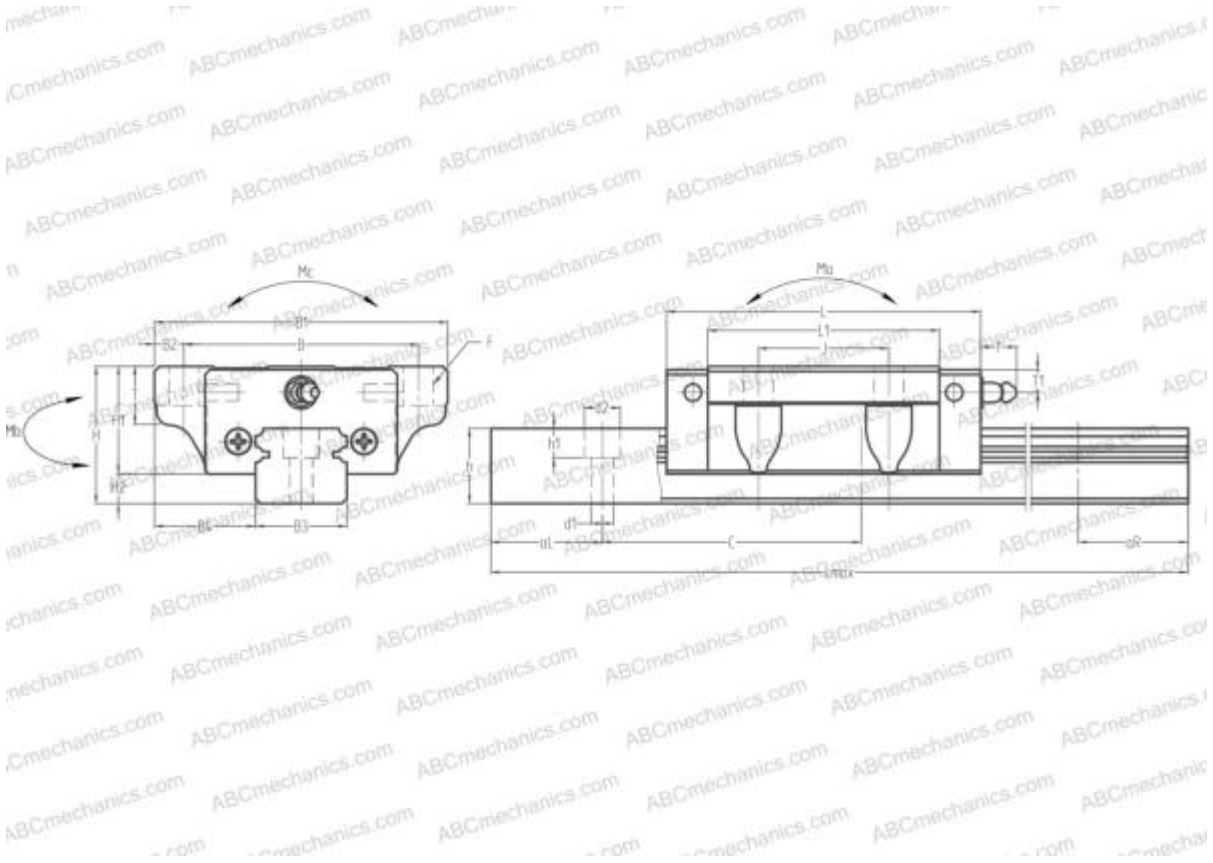


## LWE25..Q IKO

Linear guides

TYPE: Monorail guidance systems, Recirculating balls, High vertical load carrying capacity type, Self-aligning type, Flanged type, Low, Ball slide length - standard, Mounting bolt hole, Compact, Low noise, smooth operation type



### Technical specification



## DIMENSIONS, MM

B1	73,000
H	9,000
L	81,600
B	60,000
J	35,000
L1	60,000
D2	11,500
B2	6,500
B3	23,000
B4	25,000
H1	26,000
H2	7,000
T	11,000
T1	7,000
f	11,000

## INTERCHANGE

NSK	<a href="#">SS25FL</a>
THK	<a href="#">SSR25XTBY</a>

## DIMENSIONS, MM

C	60,000
d1	7,000
d2	11,000
h	18,000
h1	9,000
L max	3960,000
aL	20,000
aR	20,000
F	7x10

## WEIGHT

Slide weight	0,660
Rail weight	3,100

## MANUFACTURER

[IKO](#)

## INTERCHANGE

ABC	<a href="#">SS25FL</a>
-----	------------------------

