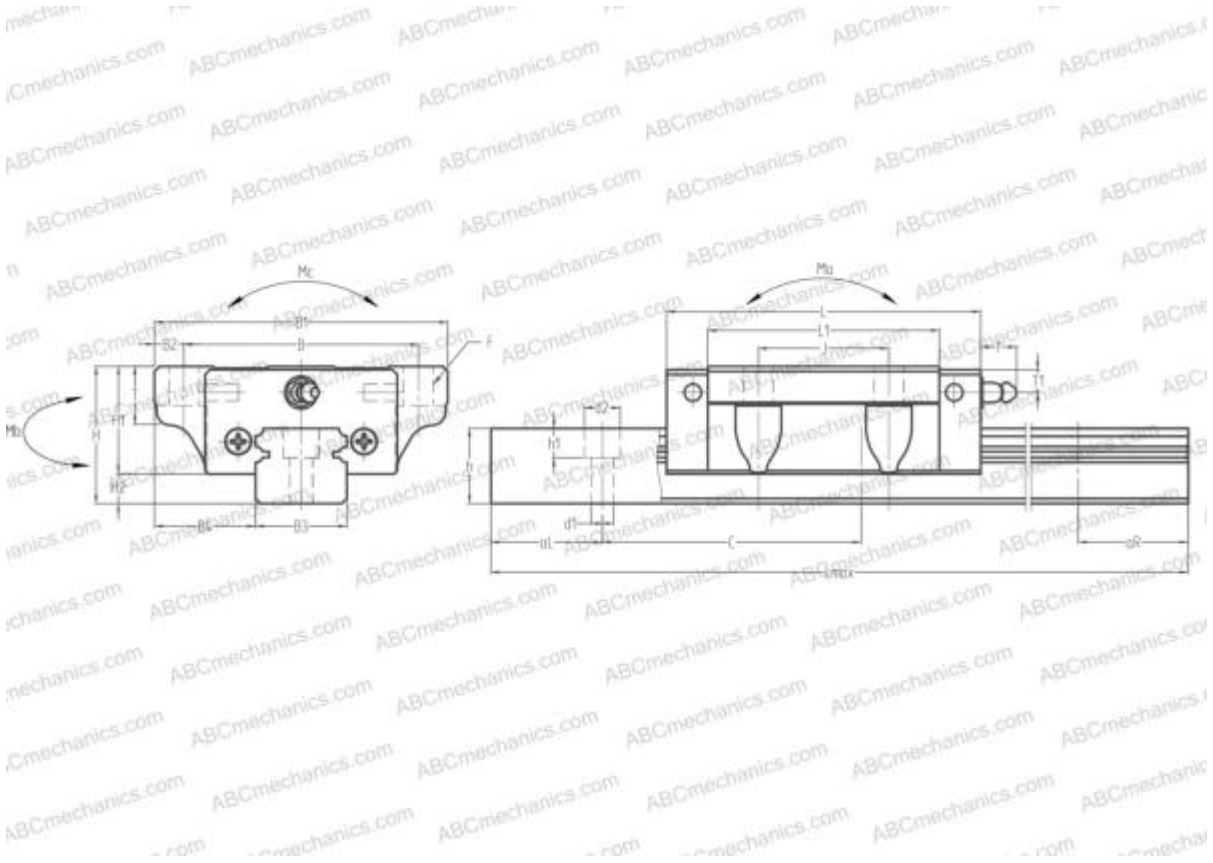


LWE30..Q IKO

Linear guides

TYPE: Monorail guidance systems, Recirculating balls, High vertical load carrying capacity type, Self-aligning type, Flanged type, Low, Ball slide length - standard, Mounting bolt hole, Compact, Low noise, smooth operation type



Technical specification



DIMENSIONS, MM

B1	90,000
H	9,000
L	96,400
B	72,000
J	40,000
L1	71,000
D2	14,000
B2	9,000
B3	28,000
B4	31,000
H1	33,000
H2	9,000
T	11,000
T1	8,000
f	11,000

INTERCHANGE

NSK	SS30FL
-----	------------------------

DIMENSIONS, MM

C	80,000
d1	7,000
d2	11,000
h	23,000
h1	9,000
L max	4000,000
aL	20,000
aR	20,000
F	9x12

WEIGHT

Slide weight	1,200
Rail weight	4,800

MANUFACTURER

[IKO](#)

INTERCHANGE

ABC	SS30FL
-----	------------------------

