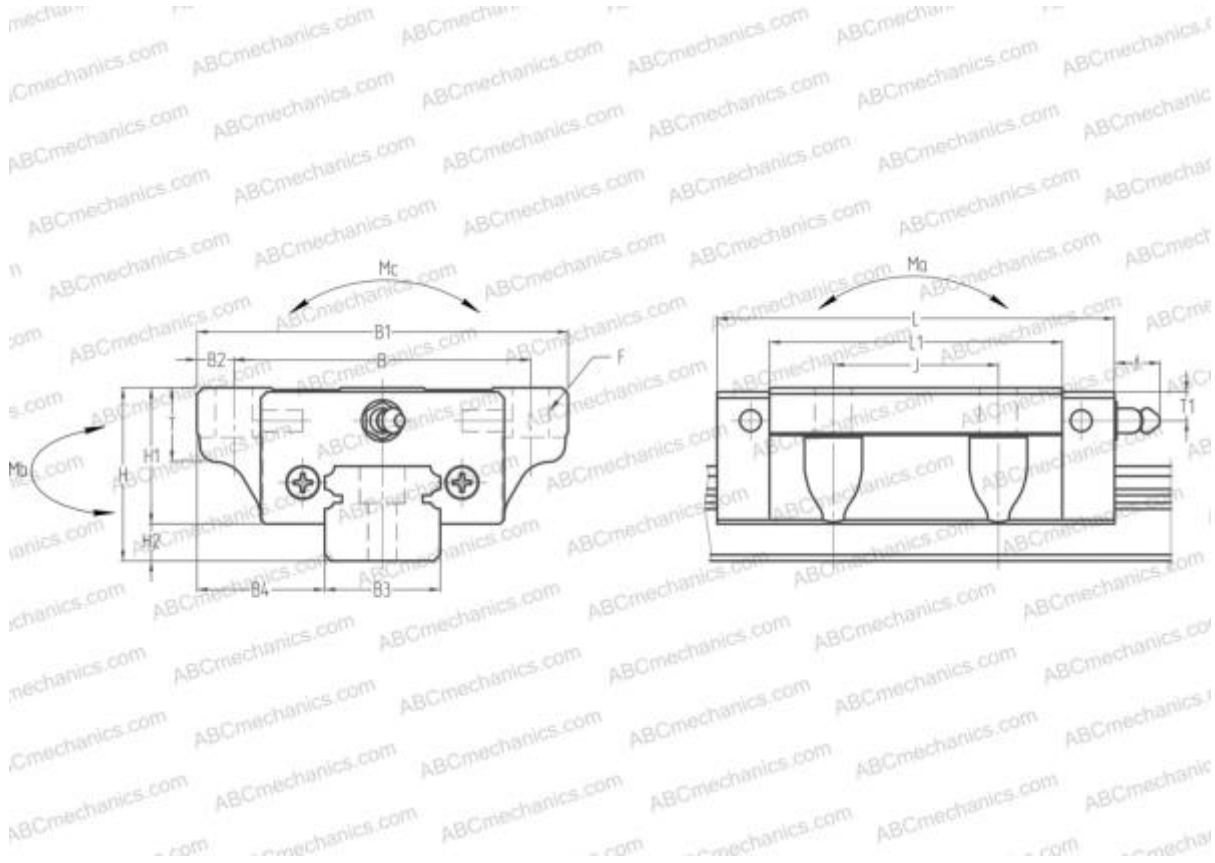


## SAS35FL NSK

Linear guides

TYPE: Monorail guidance systems, Recirculating balls, High vertical load carrying capacity type, Self-aligning type, Flanged type, Low, Ball slide length - standard, Mounting bolt hole, Compact, Low noise, smooth operation type, Interchangeable part



### Technical specification

#### DIMENSIONS, MM

B1	100,000
H	12,000
L	108,000
B	82,000
J	50,000
L1	80,000
D2	17,000
B2	9,000
B3	34,000
B4	33,000
H1	37,500
H2	10,500
T	12,000
T1	8,500
f	11,000

#### DIMENSIONS, MM

F	9x13
---	------

**SLIDE WEIGHT** 1,700

**MANUFACTURER** [NSK](https://www.nsk.com)

#### CALCULATION DATA

Basic dynamic load rating, C	31,000 kN
Basic static load rating, Co	53,800 kN
Static permissible moment, Ma	0,492 kN-m
Static permissible moment, Mb	0,487 kN-m
Static permissible moment, Mc	0,724 kN-m