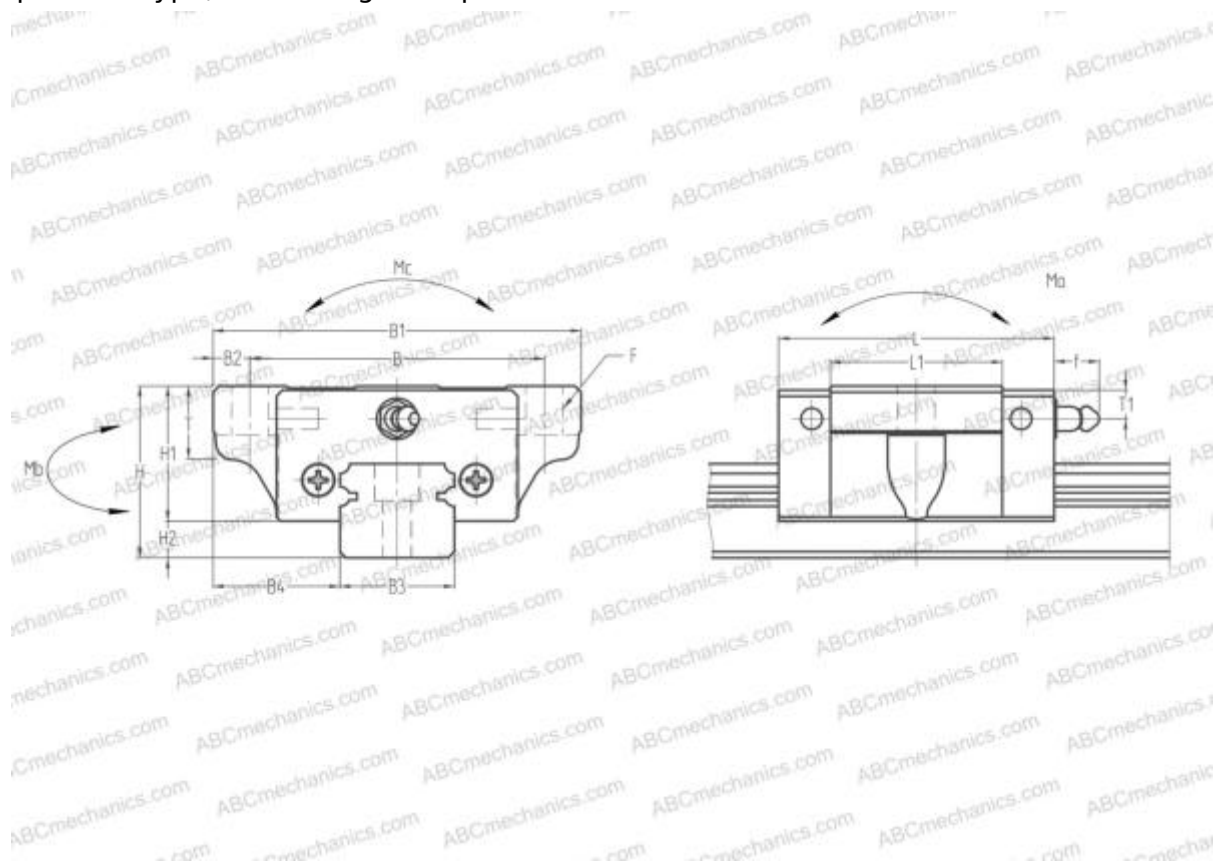


SAS15KL NSK

Linear guides

TYPE: Monorail guidance systems, Recirculating balls, High vertical load carrying capacity type, Self-aligning type, Flanged type, Low, Ball slide length - short, Mounting bolt hole, Compact, Low noise, smooth operation type, Interchangeable part



Technical specification

DIMENSIONS, MM

| | |
|----|--------|
| B1 | 52,000 |
| H | 4,500 |
| L | 40,400 |
| B | 41,000 |
| L1 | 23,600 |
| D2 | 7,500 |
| B2 | 5,500 |
| B3 | 15,000 |
| B4 | 18,500 |
| H1 | 19,400 |
| H2 | 4,600 |
| T | 8,000 |
| T1 | 6,000 |
| f | 3,000 |
| F | 4.5x7 |

SLIDE WEIGHT

0,170

MANUFACTURER

[NSK](#)

CALCULATION DATA

| | |
|-------------------------------|------------|
| Basic dynamic load rating, C | 4,150 kN |
| Basic static load rating, Co | 7,250 kN |
| Static permissible moment, Ma | 0,020 kN-m |
| Static permissible moment, Mb | 0,020 kN-m |
| Static permissible moment, Mc | 0,039 kN-m |