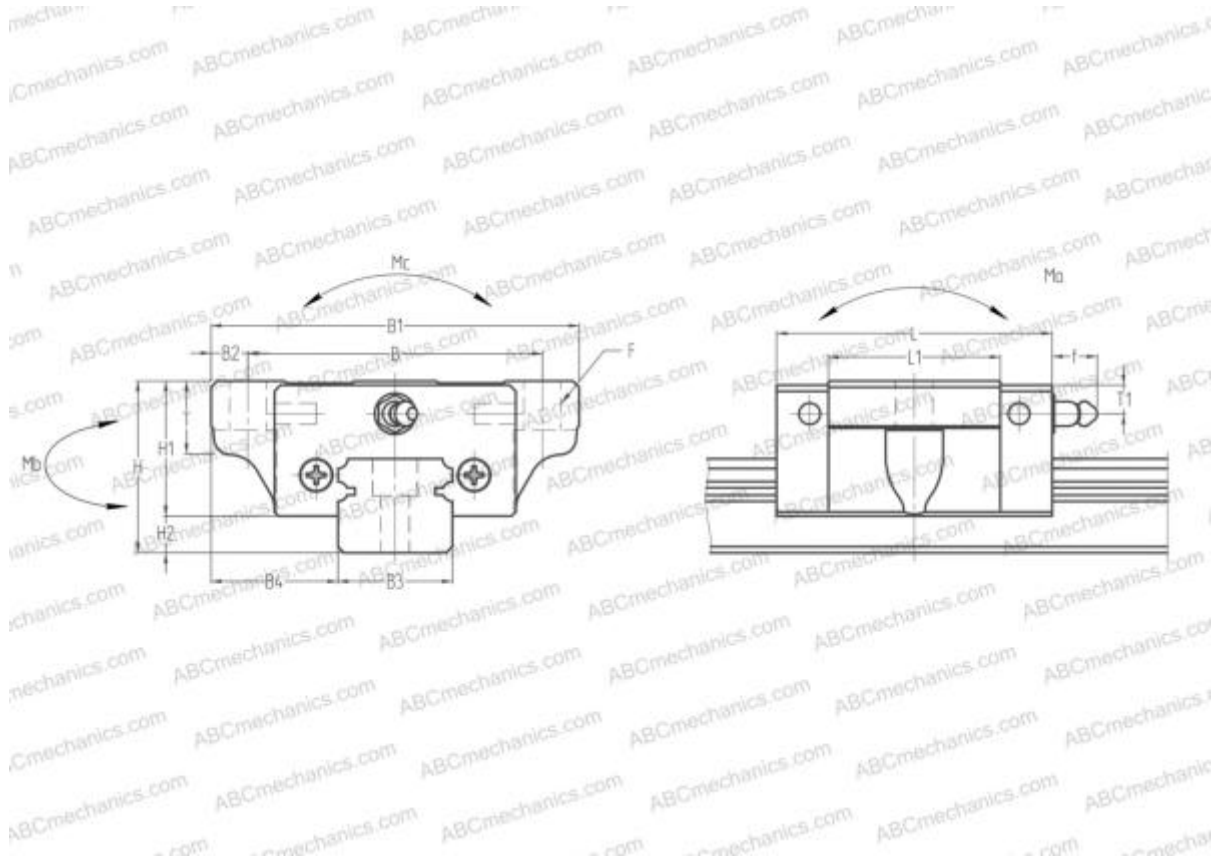


SAS30KL NSK

Linear guides

TYPE: Monorail guidance systems, Recirculating balls, High vertical load carrying capacity type, Self-aligning type, Flanged type, Low, Ball slide length - short, Mounting bolt hole, Compact, Low noise, smooth operation type, Interchangeable part



Technical specification

DIMENSIONS, MM

B1	90,000
H	9,000
L	67,400
B	72,000
L1	42,000
D2	14,000
B2	9,000
B3	28,000
B4	31,000
H1	33,000
H2	9,000
T	11,000
T1	8,000
f	11,000
F	9x12

SLIDE WEIGHT

0,760

MANUFACTURER

[NSK](#)

CALCULATION DATA

Basic dynamic load rating, C	14,500 kN
Basic static load rating, Co	22,900 kN
Static permissible moment, Ma	0,098 kN-m
Static permissible moment, Mb	0,098 kN-m
Static permissible moment, Mc	0,216 kN-m