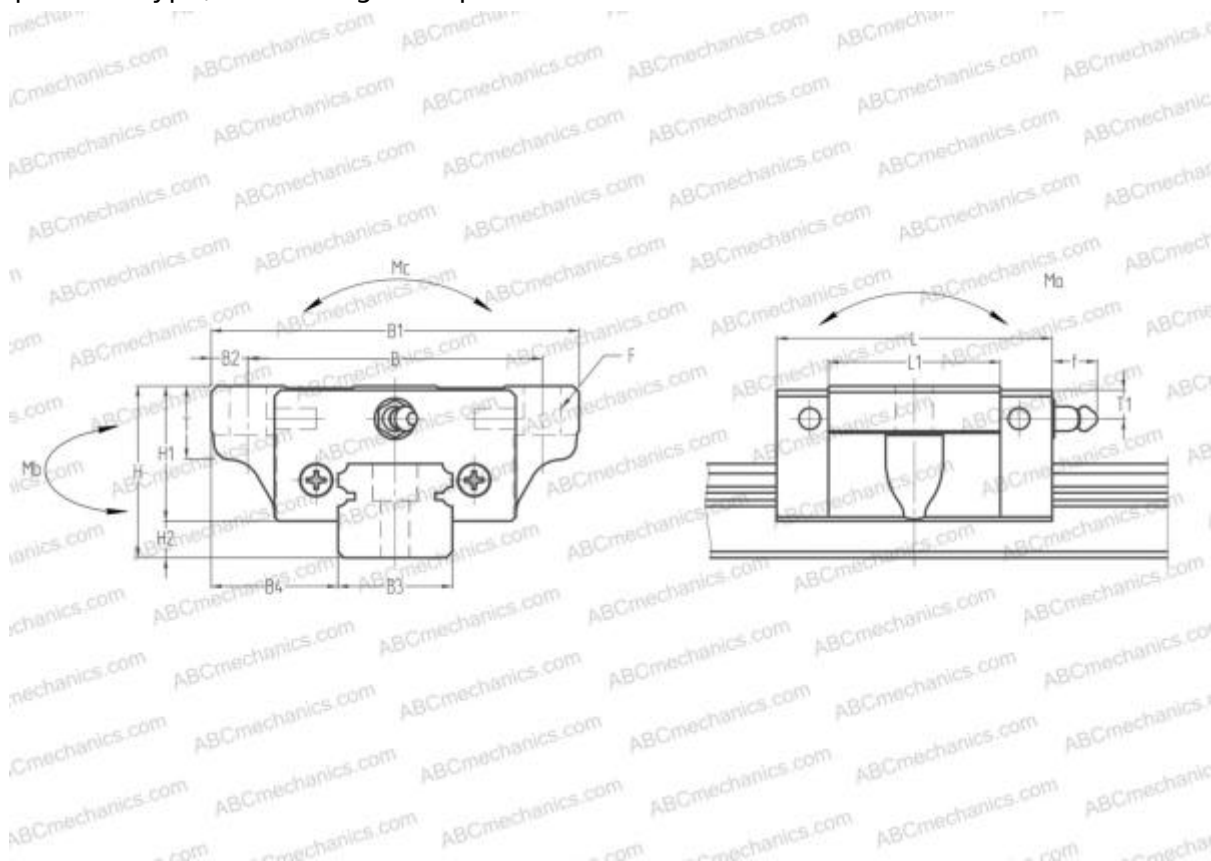


## SAS35KL NSK

Linear guides

TYPE: Monorail guidance systems, Recirculating balls, High vertical load carrying capacity type, Self-aligning type, Flanged type, Low, Ball slide length - short, Mounting bolt hole, Compact, Low noise, smooth operation type, Interchangeable part



### Technical specification

#### DIMENSIONS, MM

B1	100,000
H	12,000
L	77,000
B	82,000
L1	49,000
D2	17,000
B2	9,000
B3	34,000
B4	33,000
H1	37,500
H2	10,500
T	12,000
T1	8,500
f	11,000
F	9x13

#### SLIDE WEIGHT

1,200

#### MANUFACTURER

[NSK](#)

#### CALCULATION DATA

Basic dynamic load rating, C	20,200 kN
Basic static load rating, Co	31,400 kN
Static permissible moment, Ma	0,139 kN-m
Static permissible moment, Mb	0,139 kN-m
Static permissible moment, Mc	0,362 kN-m