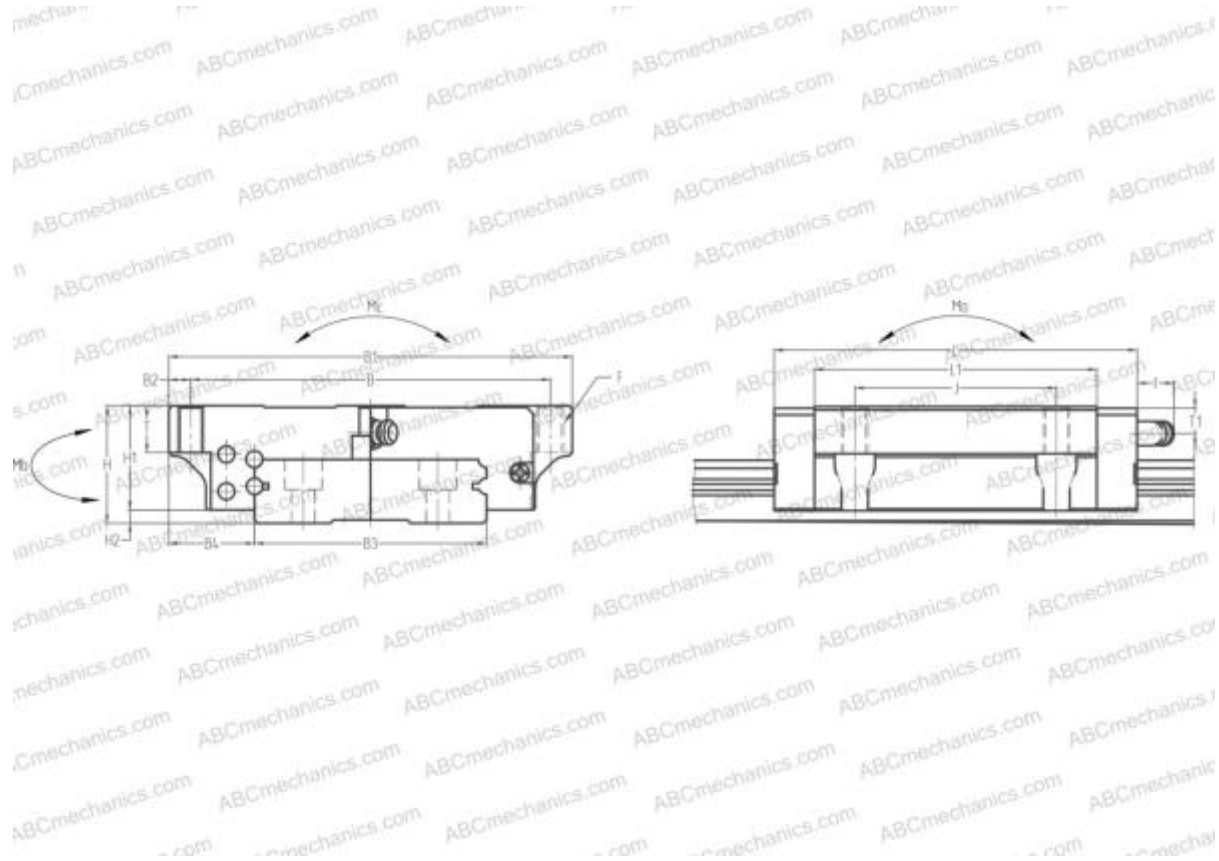


LAW27EL NSK

Linear guides

TYPE: Monorail guidance systems, Recirculating balls, High vertical load carrying capacity type, High moment load carrying type (Wide rail type), Flanged type, Low, Ball slide length - standard, Mounting tap, Interchangeable part



Technical specification

DIMENSIONS, MM

B1	80,000
H	27,000
L	74,000
B	70,000
J	40,000
L1	56,000
B2	5,000
B3	42,000
B4	19,000
H1	23,000
H2	4,000
T	10,000
T1	6,000
f	11,000
F	M6x1x10

SLIDE WEIGHT

0,500

MANUFACTURER

[NSK](#)

CALCULATION DATA

Basic dynamic load rating, C	9,800 kN
Basic static load rating, Co	21,600 kN
Static permissible moment, Ma	0,140 kN-m
Static permissible moment, Mb	0,135 kN-m
Static permissible moment, Mc	0,350 kN-m