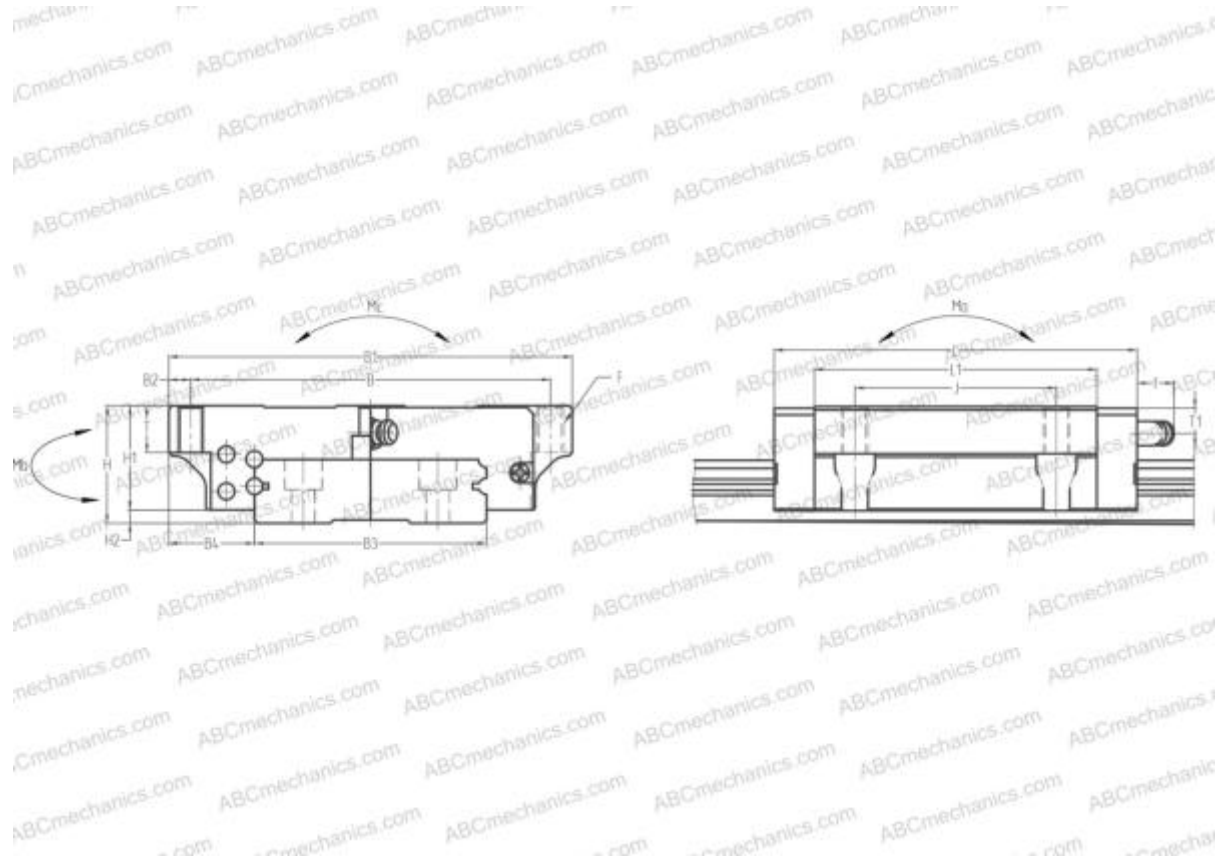


LAW50EL NSK

Linear guides

TYPE: Monorail guidance systems, Recirculating balls, High vertical load carrying capacity type, High moment load carrying type (Wide rail type), Flanged type, Low, Ball slide length - standard, Mounting tap, Interchangeable part



Technical specification

DIMENSIONS, MM

B1	162,000
H	50,000
L	140,600
B	144,000
J	80,000
L1	108,000
B2	9,000
B3	90,000
B4	36,000
H1	45,500
H2	4,500
T	18,000
T1	14,000
f	14,000
F	M10x1.5x18

SLIDE WEIGHT

4,000

MANUFACTURER

[NSK](#)

CALCULATION DATA

Basic dynamic load rating, C	47,500 kN
Basic static load rating, Co	91,500 kN
Static permissible moment, Ma	1,260 kN-m
Static permissible moment, Mb	1,240 kN-m
Static permissible moment, Mc	3,400 kN-m