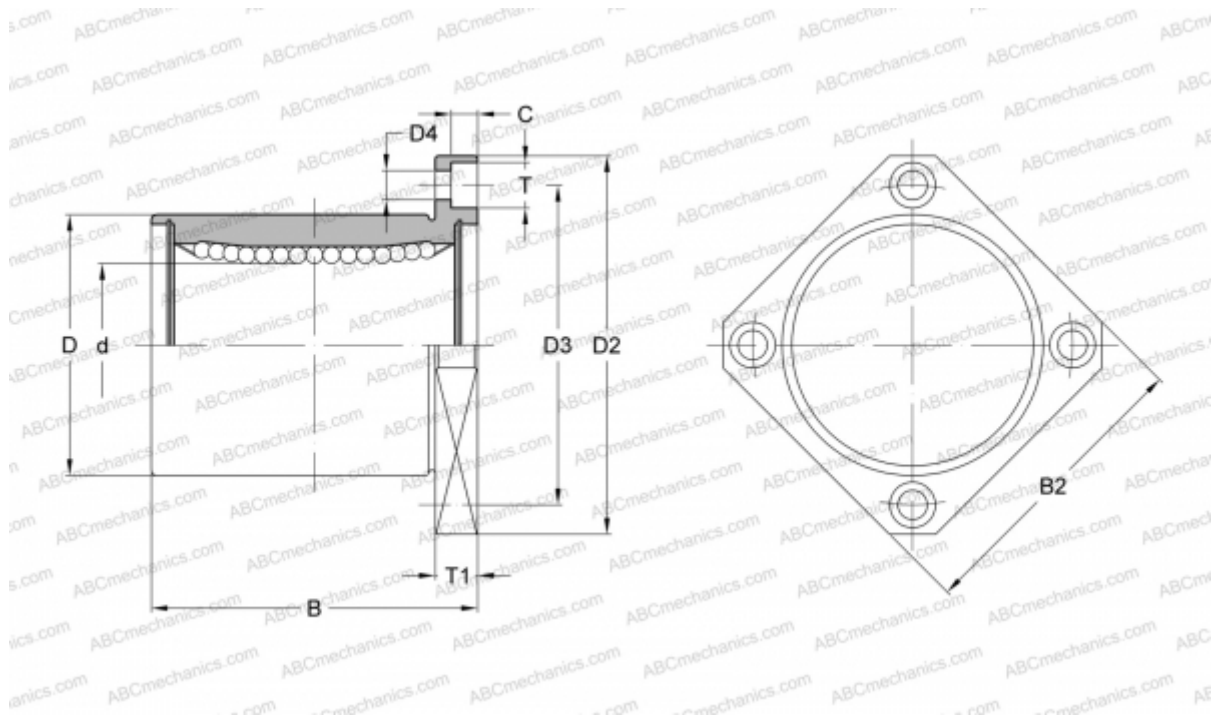


SMK 20G NB

Linear bushing

TYPE: Shaft guidance systems, Linear bushing, With flange, Square type, Type SMK, Asian standard, Plastic cage (NB)



Technical specification

DIMENSIONS, MM

d	20,000
D	32,000
B	42,000
$D2$	54,000
$D3$	43,000
$D4$	5,500
$B2$	42,000
T	9,000
$T1$	8,000
C	5,100

WEIGHT, KG 0,145

MANUFACTURER [NB](#)