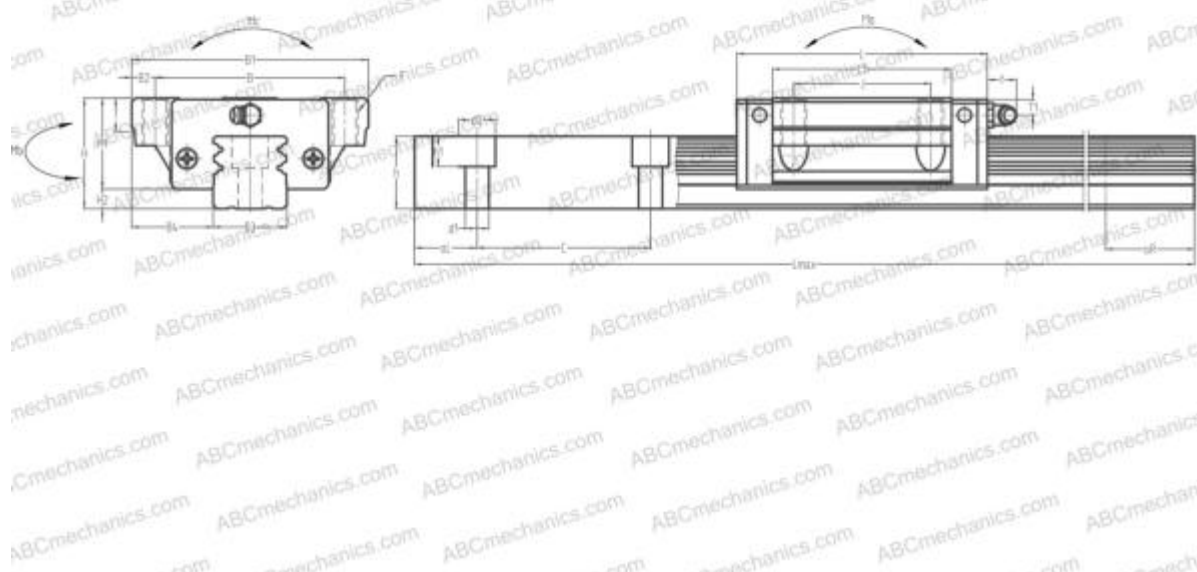


LY15EL ABC

Linear guides

TYPE: Monorail guidance systems, Recirculating balls, Four directional iso-load carrying type, High rigidity type, Flanged type, Low, Ball slide length - standard, Mounting tap



Technical specification

DIMENSIONS, MM

B1	47,000
H	24,000
L	55,000
B	38,000
J	30,000
L1	39,000
B2	4,500
B3	15,000
B4	16,000
H1	19,500
H2	4,500
T	8,000
T1	5,000
f	3,000
C	60,000

DIMENSIONS, MM

d1	4,500
d2	7,500
h	14,000
h1	5,300
L max	2000,000
aL	20,000
aR	20,000
F	M5x0.8x8

WEIGHT

Slide weight	0,200
Rail weight	1,600

MANUFACTURER

[ABC](#)

INTERCHANGE

NSK	LY15EL
THK	HSR15A