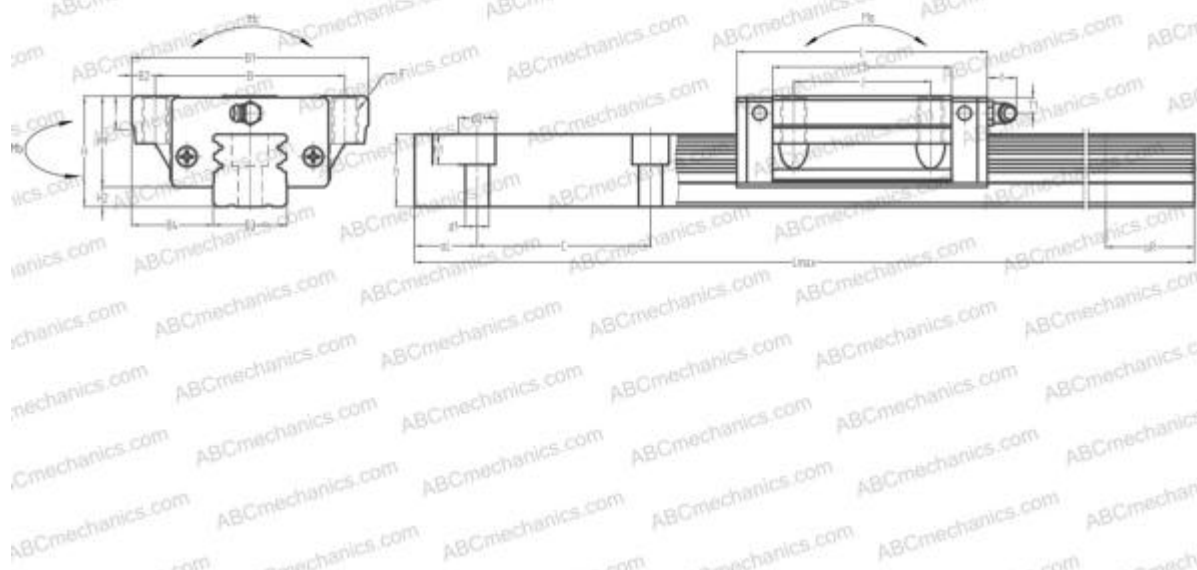


## HSR20A THK

Linear guides

TYPE: Monorail guidance systems, Recirculating balls, Four directional iso-load carrying type, High rigidity type, Flanged type, Low, Ball slide length - standard, Mounting tap



### Technical specification

#### DIMENSIONS, MM

B1	63,000
H	30,000
L	69,400
B	53,000
J	40,000
L1	50,000
B2	5,000
B3	20,000
B4	21,500
H1	23,000
H2	7,000
T	10,000
T1	5,000
f	3,000
C	60,000

#### DIMENSIONS, MM

d1	6,000
d2	9,500
h	19,000
h1	8,500
L max	2000,000
aL	20,000
aR	20,000
F	M6x1x10

#### WEIGHT

Slide weight	0,370
Rail weight	2,900

#### MANUFACTURER

[THK](#)

#### INTERCHANGE

ABC	<a href="#">LY20EL</a>
NSK	<a href="#">LY20EL</a>

**INTERCHANGE**

IKO	<a href="#">LWHTG20</a>
HIWIN	<a href="#">LGW20HA</a>
STAR	<a href="#">1653-8</a>