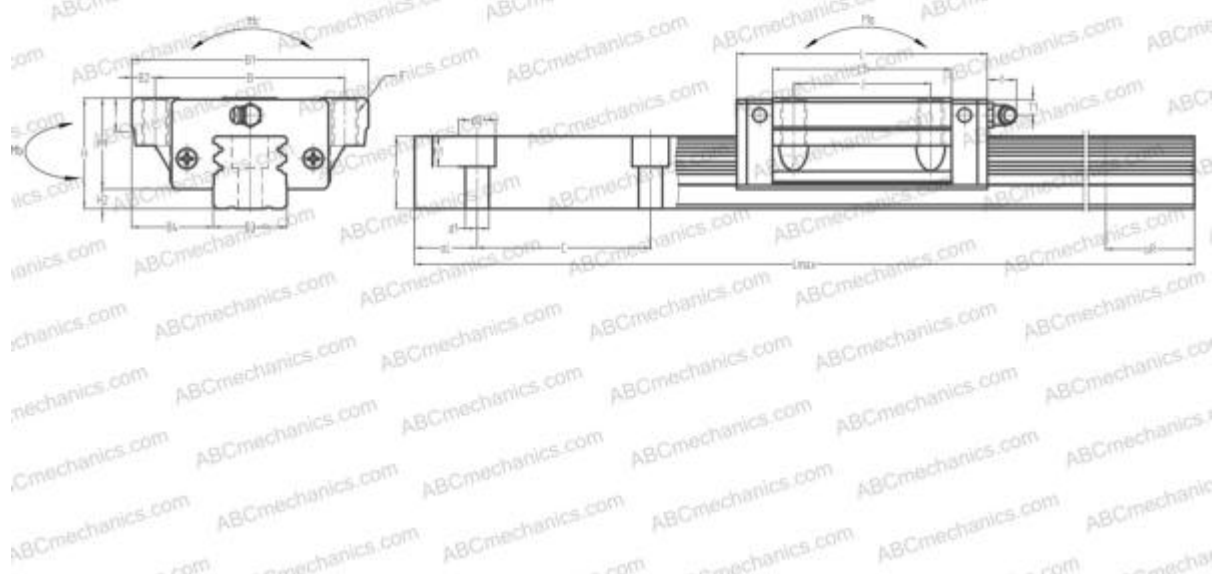


## LY30EL ABC

Linear guides

TYPE: Monorail guidance systems, Recirculating balls, Four directional iso-load carrying type, High rigidity type, Flanged type, Low, Ball slide length - standard, Mounting tap



### Technical specification

#### DIMENSIONS, MM

B1	90,000
H	42,000
L	95,200
B	72,000
J	52,000
L1	68,000
B2	9,000
B3	28,000
B4	31,000
H1	34,500
H2	7,500
T	11,000
T1	6,500
f	11,000
C	80,000

#### DIMENSIONS, MM

d1	9,000
d2	14,000
h	27,500
h1	12,000
L max	3000,000
aL	20,000
aR	20,000
F	M10x1.5x18

#### WEIGHT

Slide weight	1,100
Rail weight	5,800

#### MANUFACTURER

[ABC](#)

#### INTERCHANGE

NSK	<a href="#">LY30EL</a>
THK	<a href="#">HSR30A</a>



**INTERCHANGE**

IKO	<a href="#">LWHTG30</a>
HIWIN	<a href="#">LGW30HA</a>
STAR	<a href="#">1653-7</a>

