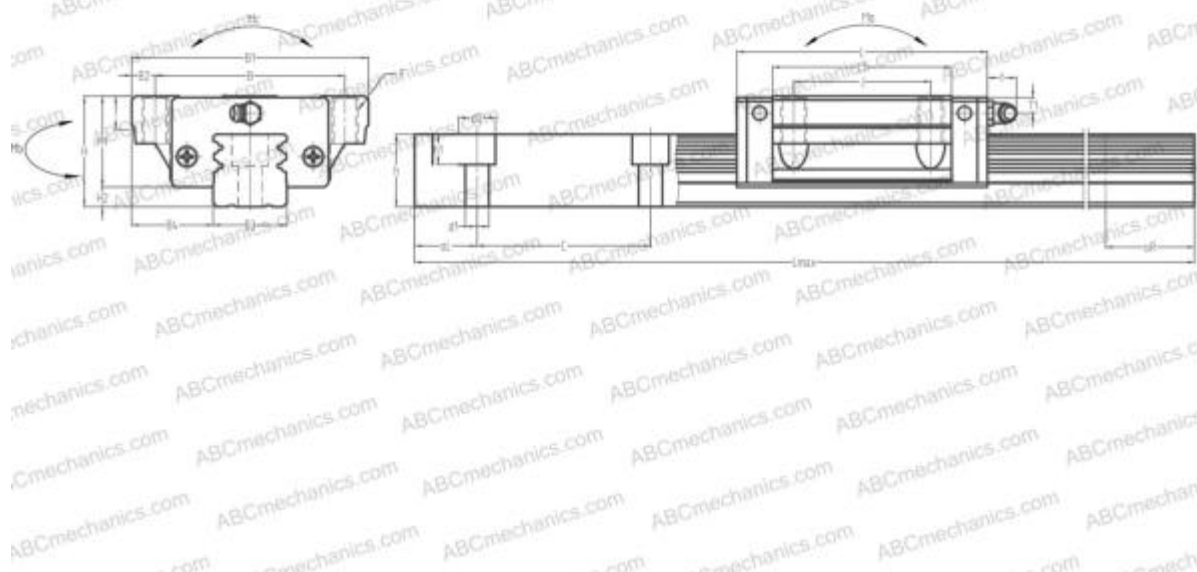


## HSR30A THK

Linear guides

TYPE: Monorail guidance systems, Recirculating balls, Four directional iso-load carrying type, High rigidity type, Flanged type, Low, Ball slide length - standard, Mounting tap



### Technical specification

#### DIMENSIONS, MM

|    |        |
|----|--------|
| B1 | 90,000 |
| H  | 42,000 |
| L  | 95,200 |
| B  | 72,000 |
| J  | 52,000 |
| L1 | 68,000 |
| B2 | 9,000  |
| B3 | 28,000 |
| B4 | 31,000 |
| H1 | 34,500 |
| H2 | 7,500  |
| T  | 11,000 |
| T1 | 6,500  |
| f  | 11,000 |
| C  | 80,000 |

#### DIMENSIONS, MM

|       |            |
|-------|------------|
| d1    | 9,000      |
| d2    | 14,000     |
| h     | 27,500     |
| h1    | 12,000     |
| L max | 3000,000   |
| aL    | 20,000     |
| aR    | 20,000     |
| F     | M10x1.5x18 |

#### WEIGHT

|              |       |
|--------------|-------|
| Slide weight | 1,100 |
| Rail weight  | 5,800 |

#### MANUFACTURER

[THK](#)

#### INTERCHANGE

|     |                        |
|-----|------------------------|
| ABC | <a href="#">LY30EL</a> |
| NSK | <a href="#">LY30EL</a> |

**INTERCHANGE**

|       |                         |
|-------|-------------------------|
| IKO   | <a href="#">LWHTG30</a> |
| HIWIN | <a href="#">LGW30HA</a> |
| STAR  | <a href="#">1653-7</a>  |