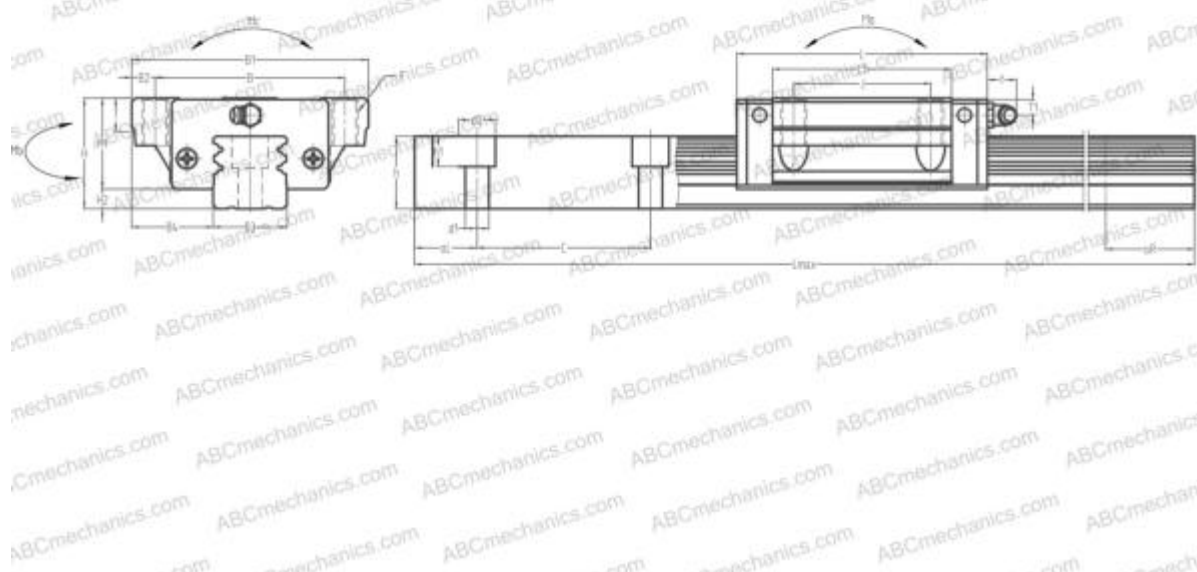


LY35EL NSK

Linear guides

TYPE: Monorail guidance systems, Recirculating balls, Four directional iso-load carrying type, High rigidity type, Flanged type, Low, Ball slide length - standard, Mounting tap



Technical specification

DIMENSIONS, MM

B1	100,000
H	48,000
L	110,400
B	82,000
J	62,000
L1	80,000
B2	9,000
B3	34,000
B4	33,000
H1	40,500
H2	7,500
T	12,000
T1	8,000
f	11,000
C	80,000

DIMENSIONS, MM

d1	9,000
d2	14,000
h	31,000
h1	12,000
L max	3000,000
aL	20,000
aR	20,000
F	M10x1.5x20

WEIGHT

Slide weight	1,700
Rail weight	7,900

MANUFACTURER

[NSK](#)

INTERCHANGE

ABC	LY35EL
THK	HSR35A

INTERCHANGE

IKO	LWHTG35
HIWIN	LGW35HA
STAR	1653-3

CALCULATION DATA

Basic dynamic load rating, C	35,000 kN
Basic static load rating, Co	51,000 kN
Static permissible moment, Ma	0,580 kN-m
Static permissible moment, Mb	0,580 kN-m
Static permissible moment, Mc	0,880 kN-m