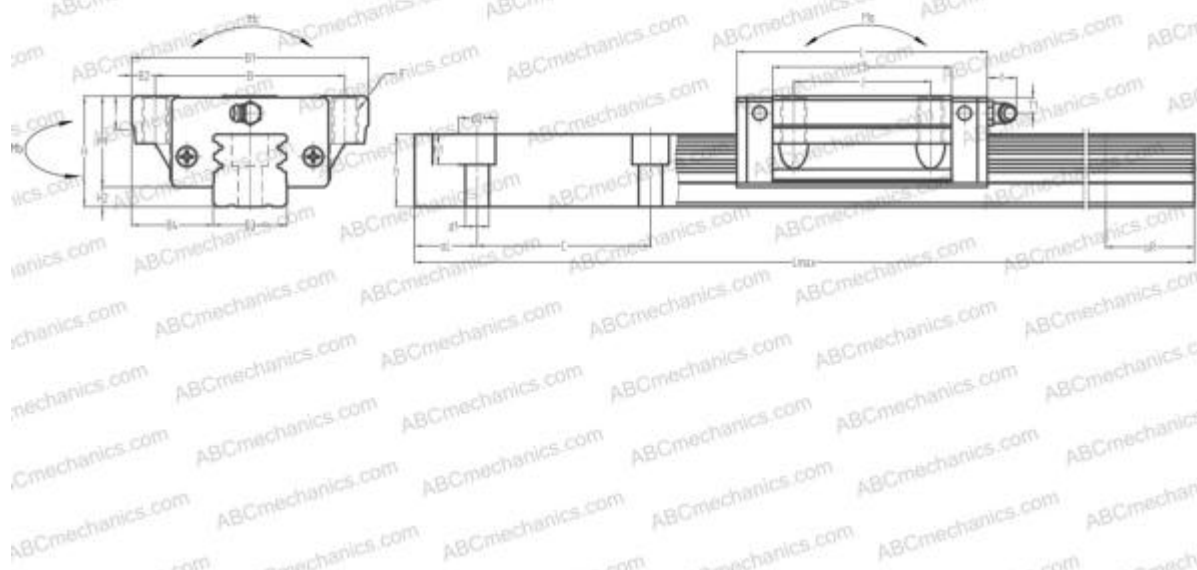


## LWHTG35 IKO

Linear guides

TYPE: Monorail guidance systems, Recirculating balls, Four directional iso-load carrying type, High rigidity type, Flanged type, Low, Ball slide length - standard, Mounting tap



### Technical specification

#### DIMENSIONS, MM

B1	100,000
H	48,000
L	110,400
B	82,000
J	62,000
L1	80,000
B2	9,000
B3	34,000
B4	33,000
H1	40,500
H2	7,500
T	12,000
T1	8,000
f	11,000
C	80,000

#### DIMENSIONS, MM

d1	9,000
d2	14,000
h	31,000
h1	12,000
L max	3000,000
aL	20,000
aR	20,000
F	M10x1.5x20

#### WEIGHT

Slide weight	1,700
Rail weight	7,900

#### MANUFACTURER

[IKO](#)

#### INTERCHANGE

ABC	<a href="#">LY35EL</a>
NSK	<a href="#">LY35EL</a>

**INTERCHANGE**

THK	<a href="#">HSR35A</a>
HIWIN	<a href="#">LGW35HA</a>
STAR	<a href="#">1653-3</a>