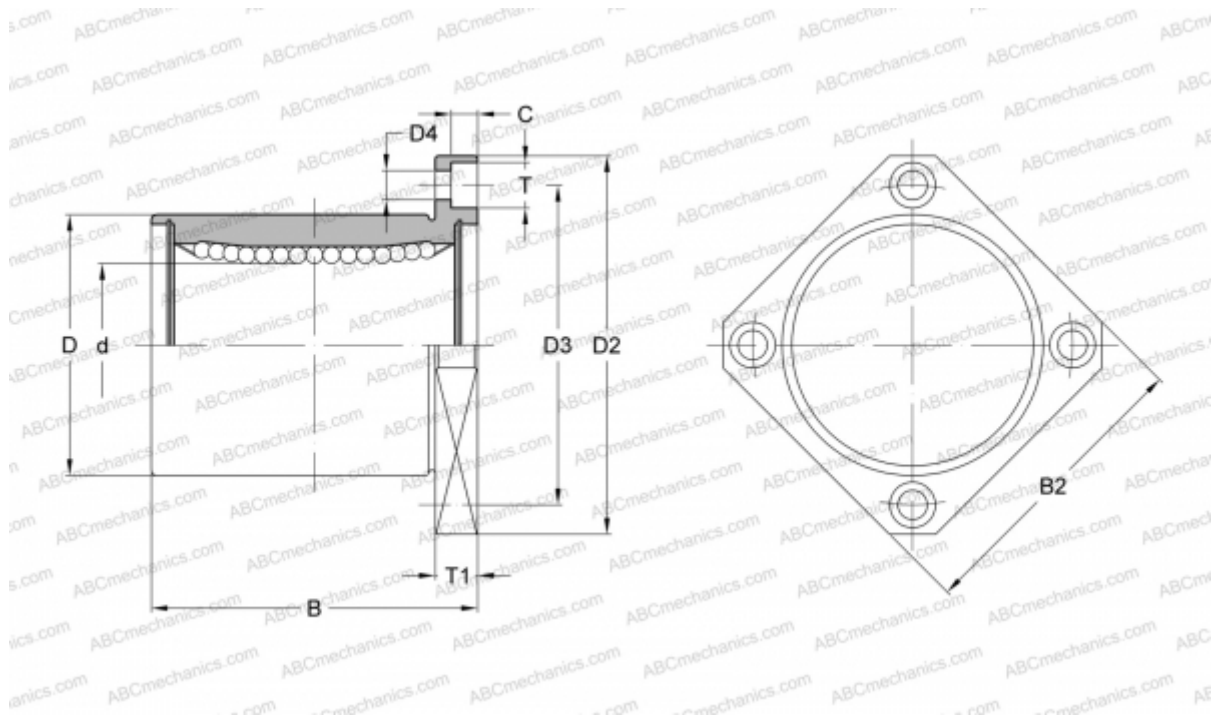


SMK 50G NB

Linear bushing

TYPE: Shaft guidance systems, Linear bushing, With flange, Square type, Type SMK, Asian standard, Plastic cage (NB)



Technical specification

DIMENSIONS, MM

d	50,000
D	80,000
B	100,000
D_2	116,000
D_3	98,000
D_4	9,000
B_2	92,000
T	14,000
T_1	13,000
C	8,100

WEIGHT, KG 2,000

MANUFACTURER [NB](#)