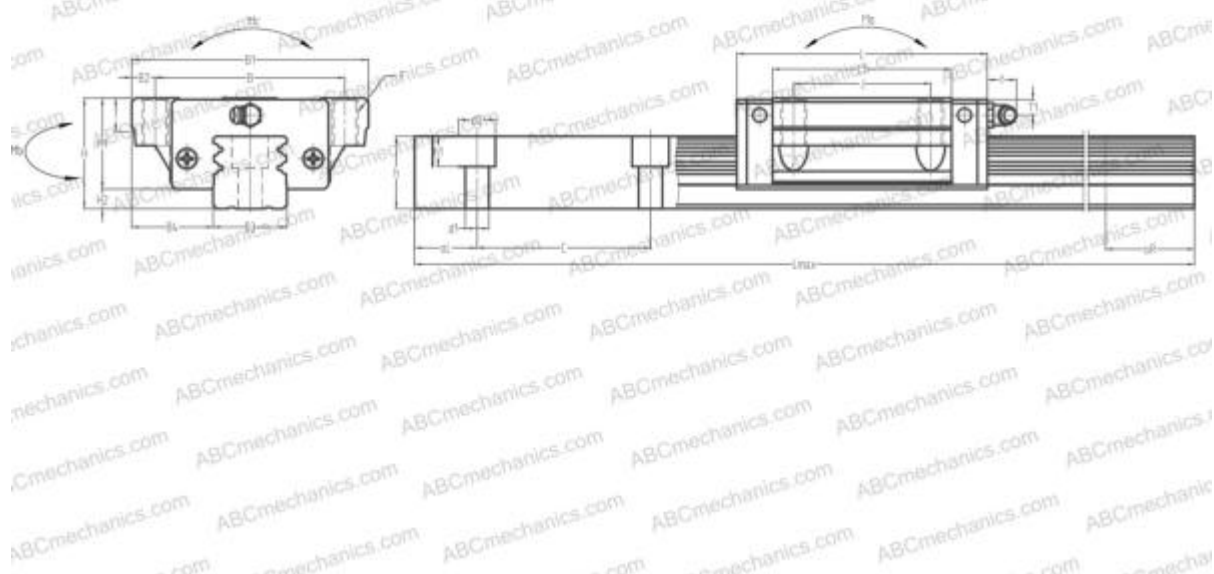


LY45GL ABC

Linear guides

TYPE: Monorail guidance systems, Recirculating balls, Four directional iso-load carrying type, High rigidity type, Flanged type, Low, Ball slide length - long, Mounting tap



Technical specification

DIMENSIONS, MM

B1	120,000
H	60,000
L	169,000
B	100,000
J	80,000
L1	134,000
B2	10,000
B3	45,000
B4	37,500
H1	50,000
H2	10,000
T	13,000
T1	10,000
f	13,000
C	105,000

DIMENSIONS, MM

d1	14,000
d2	20,000
h	37,500
h1	17,000
L max	3000,000
aL	22,500
aR	22,500
F	M12x1.75x24

WEIGHT

Slide weight	3,900
Rail weight	12,700

MANUFACTURER

[ABC](#)

INTERCHANGE

NSK	LY45GL
THK	HSR45LA

INTERCHANGE

IKO	LWHTG45
HIWIN	LGW45HA
STAR	1653-4