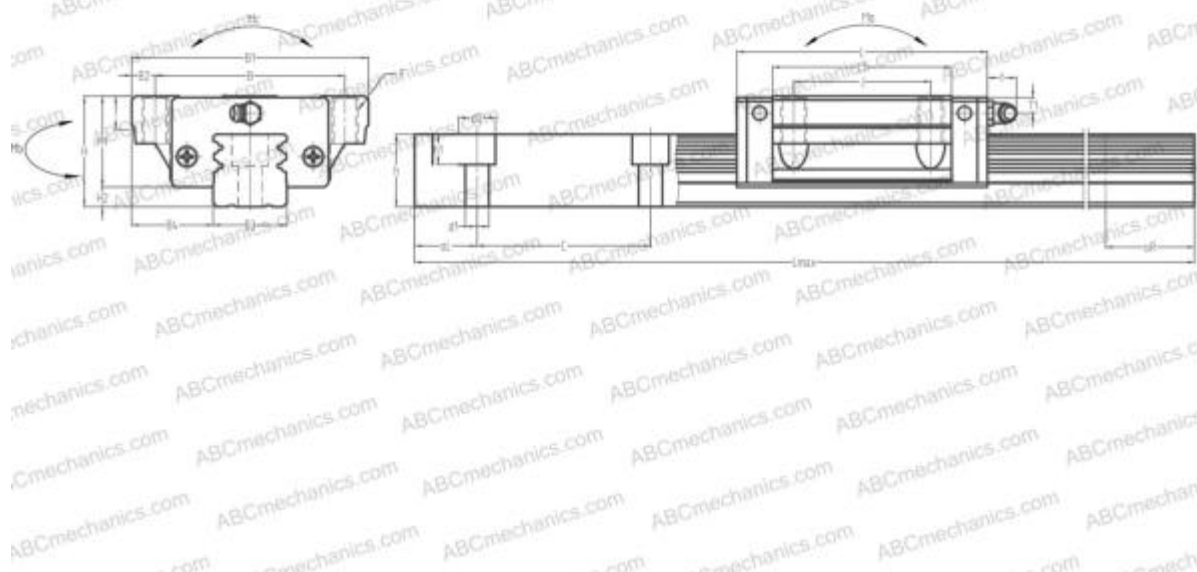


LY65GL NSK

Linear guides

TYPE: Monorail guidance systems, Recirculating balls, Four directional iso-load carrying type, High rigidity type, Flanged type, Low, Ball slide length - long, Mounting tap



Technical specification

DIMENSIONS, MM

| | |
|----|---------|
| B1 | 170,000 |
| H | 90,000 |
| L | 244,600 |
| B | 142,000 |
| J | 110,000 |
| L1 | 197,000 |
| B2 | 14,000 |
| B3 | 63,000 |
| B4 | 53,500 |
| H1 | 76,000 |
| H2 | 14,000 |
| T | 23,000 |
| T1 | 19,000 |
| f | 13,000 |
| C | 150,000 |

DIMENSIONS, MM

| | |
|-------|----------|
| d1 | 18,000 |
| d2 | 26,000 |
| h | 53,000 |
| h1 | 22,000 |
| L max | 3000,000 |
| aL | 35,000 |
| aR | 35,000 |
| F | M16x2x37 |

WEIGHT

| | |
|--------------|--------|
| Slide weight | 12,300 |
| Rail weight | 25,100 |

MANUFACTURER

[NSK](#)

INTERCHANGE

| | |
|-----|-------------------------|
| ABC | LY65GL |
| THK | HSR65LA |

INTERCHANGE

| | |
|-------|-------------------------|
| IKO | LWHTG65 |
| HIWIN | LGW65HA |
| STAR | 1653-6 |

CALCULATION DATA

| | |
|-------------------------------|-------------|
| Basic dynamic load rating, C | 225,000 kN |
| Basic static load rating, Co | 340,000 kN |
| Static permissible moment, Ma | 9,750 kN-m |
| Static permissible moment, Mb | 9,750 kN-m |
| Static permissible moment, Mc | 10,200 kN-m |