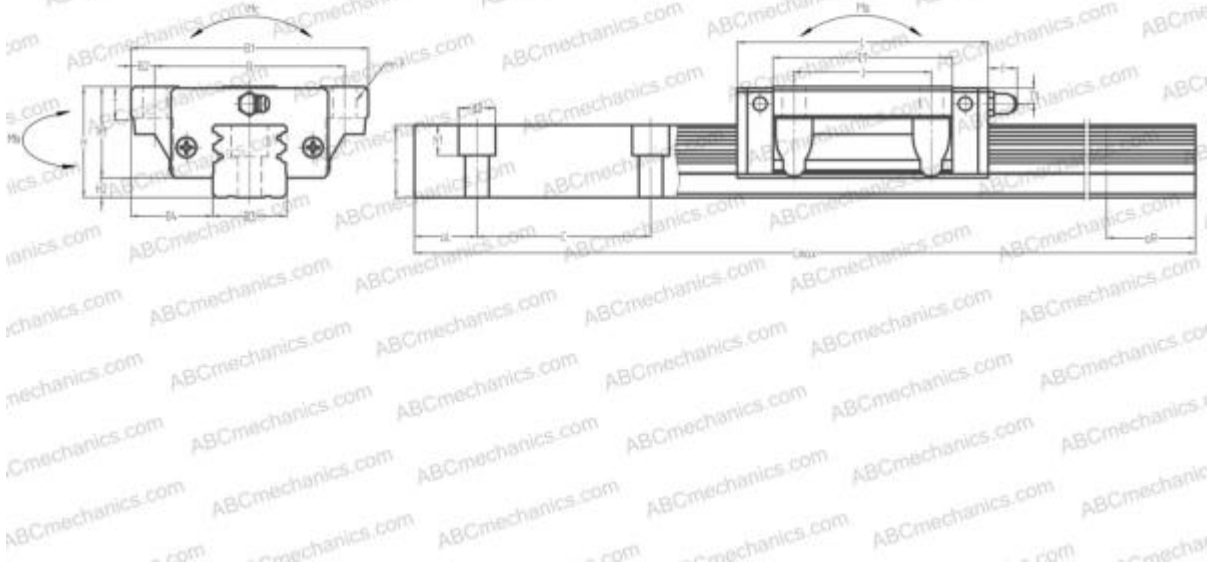


HSR35B THK

Linear guides

TYPE: Monorail guidance systems, Recirculating balls, Four directional iso-load carrying type, High rigidity type, Flanged type, Low, Ball slide length - standard, Mounting bolt hole



Technical specification

DIMENSIONS, MM

| | |
|----|---------|
| B1 | 100,000 |
| H | 48,000 |
| L | 110,400 |
| B | 82,000 |
| J | 62,000 |
| L1 | 80,000 |
| B2 | 9,000 |
| B3 | 34,000 |
| B4 | 33,000 |
| H1 | 40,500 |
| H2 | 7,500 |
| T | 12,000 |
| T1 | 8,000 |
| f | 11,000 |
| C | 80,000 |

DIMENSIONS, MM

| | |
|-------|----------|
| d1 | 9,000 |
| d2 | 14,000 |
| h | 31,000 |
| h1 | 12,000 |
| L max | 3000,000 |
| aL | 20,000 |
| aR | 20,000 |
| F | 9x13 |

WEIGHT

| | |
|--------------|-------|
| Slide weight | 1,700 |
| Rail weight | 7,900 |

MANUFACTURER

[THK](#)

INTERCHANGE

| | |
|-----|------------------------|
| ABC | LY35FL |
| NSK | LY35FL |

INTERCHANGE

| | |
|-------|--------------------------|
| IKO | LWH35..B |
| HIWIN | LGW35CB |
| STAR | 1651-3 |