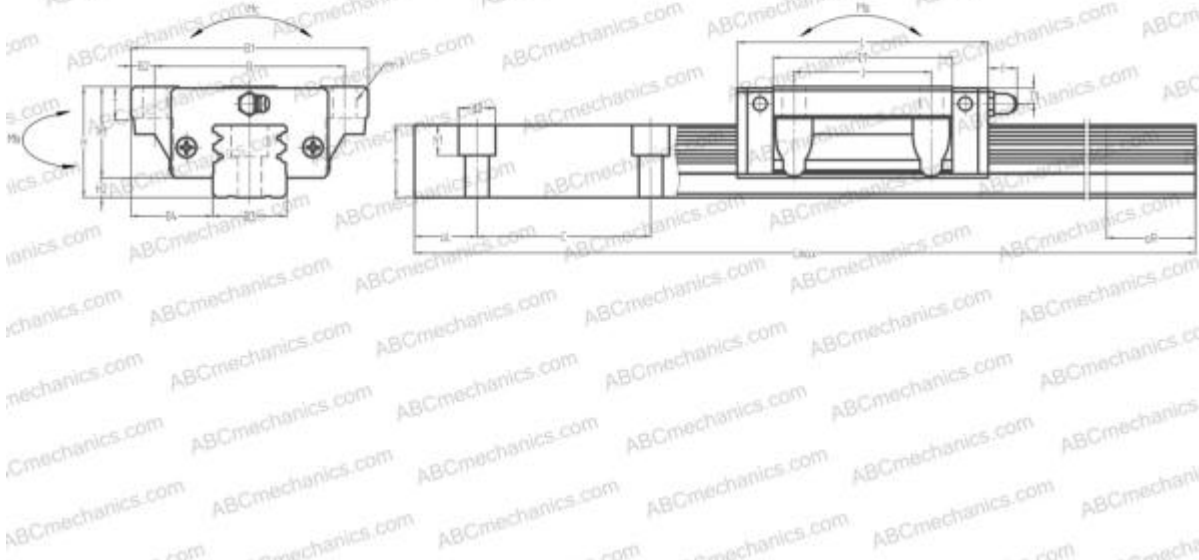


LY65FL ABC

Linear guides

TYPE: Monorail guidance systems, Recirculating balls, Four directional iso-load carrying type, High rigidity type, Flanged type, Low, Ball slide length - standard, Mounting bolt hole



Technical specification

DIMENSIONS, MM

B1	170,000
H	90,000
L	184,600
B	142,000
J	110,000
L1	137,000
B2	14,000
B3	63,000
B4	53,500
H1	76,000
H2	14,000
T	23,000
T1	19,000
f	13,000
C	150,000

DIMENSIONS, MM

d1	18,000
d2	26,000
h	53,000
h1	22,000
L max	3000,000
aL	35,000
aR	35,000
F	16x23

WEIGHT

Slide weight	9,300
Rail weight	25,100

MANUFACTURER

[ABC](#)

INTERCHANGE

NSK	LY65FL
THK	HSR65B

INTERCHANGE

IKO	LWH65..B
HIWIN	LGW65CB
STAR	1651-6