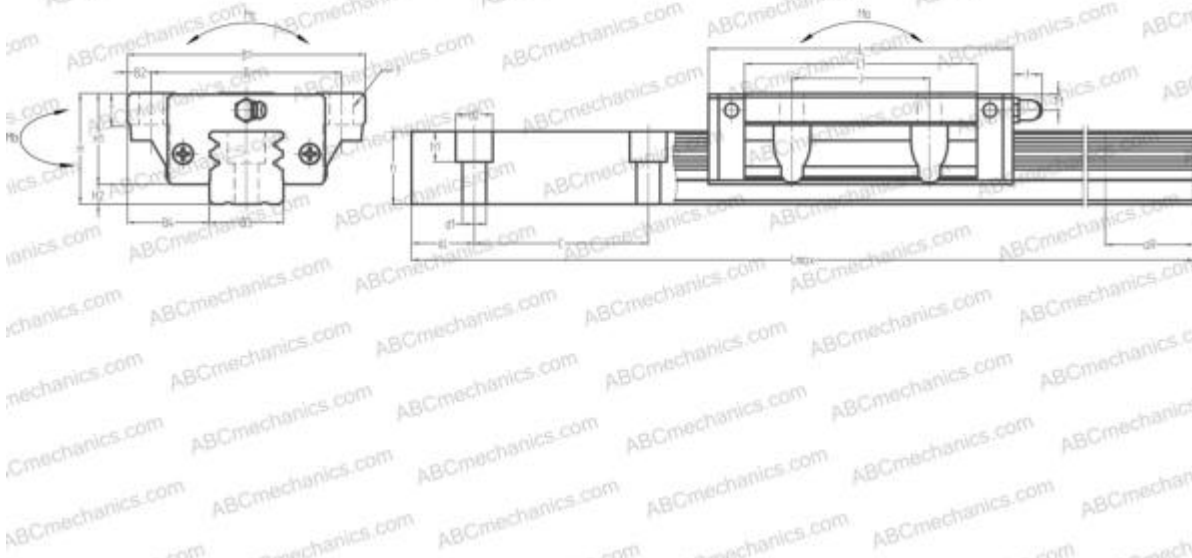


## LY45HL NSK

Linear guides

TYPE: Monorail guidance systems, Recirculating balls, Four directional iso-load carrying type, High rigidity type, Flanged type, Low, Ball slide length - long, Mounting bolt hole



### Technical specification

#### DIMENSIONS, MM

B1	120,000
H	60,000
L	169,000
B	100,000
J	80,000
L1	134,000
B2	10,000
B3	45,000
B4	37,500
H1	50,000
H2	10,000
T	13,000
T1	10,000
f	13,000
C	105,000

#### DIMENSIONS, MM

d1	14,000
d2	20,000
h	37,500
h1	17,000
L max	3000,000
aL	22,500
aR	22,500
F	11x15

#### WEIGHT

Slide weight	3,900
Rail weight	12,700

#### MANUFACTURER

[NSK](#)

#### INTERCHANGE

ABC	<a href="#">LY45HL</a>
THK	<a href="#">HSR45LB</a>

## INTERCHANGE

IKO	<a href="#">LWHG45</a>
HIWIN	<a href="#">LGW45HB</a>
STAR	<a href="#">1653-4</a>

## CALCULATION DATA

Basic dynamic load rating, C	63,500 kN
Basic static load rating, Co	104,000 kN
Static permissible moment, Ma	1,880 kN-m
Static permissible moment, Mb	1,880 kN-m
Static permissible moment, Mc	1,830 kN-m