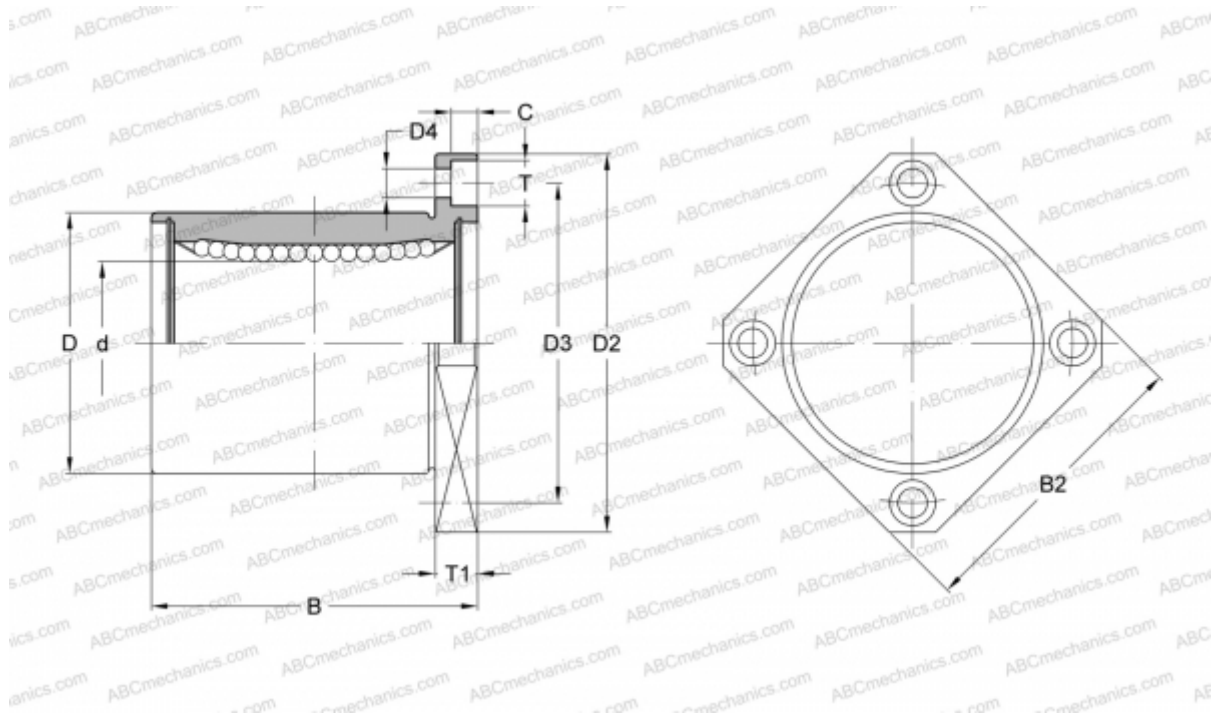


## SMSK 30G NB

Linear bushing

TYPE: Shaft guidance systems, Linear bushing, With flange, Square type, Type SMK, Asian standard, Corrosion resistance, Plastic cage (NB)



### Technical specification

#### DIMENSIONS, MM

d	30,000
D	45,000
B	64,000
D2	74,000
D3	60,000
D4	6,600
B2	58,000
T	11,000
T1	10,000
C	6,100

**WEIGHT, KG** 0,375

**MANUFACTURER** [NB](#)