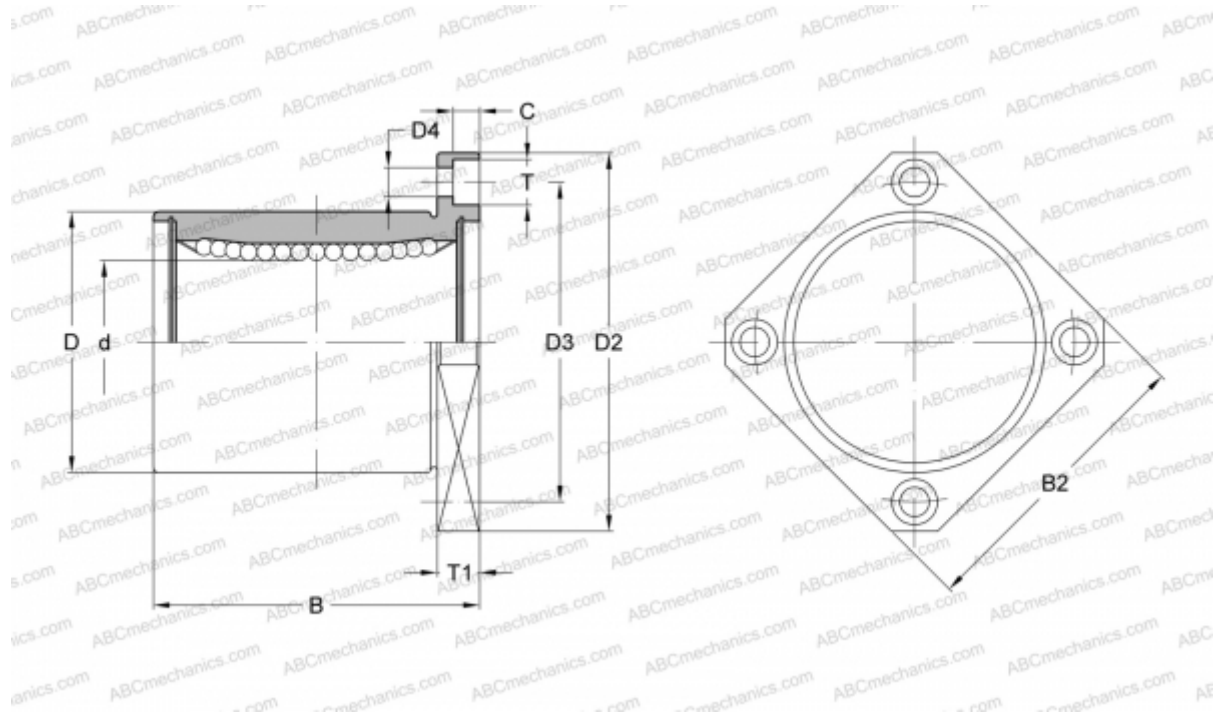


## SMSK 35G NB

Linear bushing

TYPE: Shaft guidance systems, Linear bushing, With flange, Square type, Type SMK, Asian standard, Corrosion resistance, Plastic cage (NB)



### Technical specification

#### DIMENSIONS, MM

d	35,000
D	52,000
B	70,000
D2	82,000
D3	67,000
D4	6,600
B2	64,000
T	11,000
T1	10,000
C	6,100

**WEIGHT, KG** 0,560

**MANUFACTURER** NB