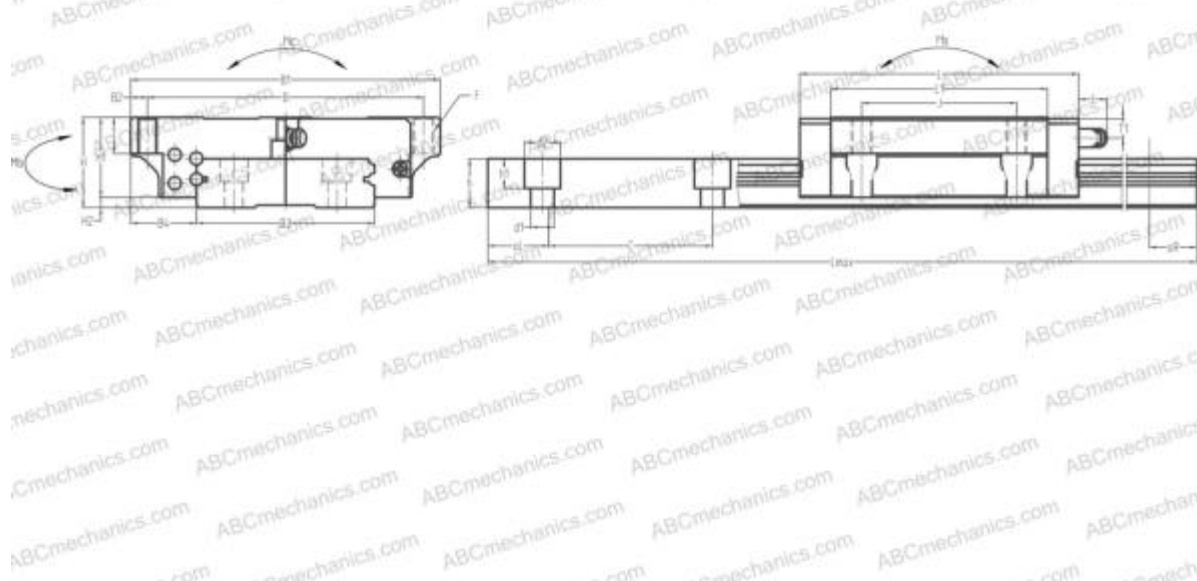


RSR12WN THK

Linear guides

TYPE: Monorail guidance systems, Recirculating balls, Four directional iso-load carrying type, High moment load carrying type (Wide rail type), Square type, Low, Ball slide length - long, Mounting tap



Technical specification

DIMENSIONS, MM

B1	30,000
H	12,000
L	50,500
B	23,000
J	24,000
L1	39,000
D2	9,000
B2	3,500
B3	18,000
B4	6,000
H1	8,000
H2	4,000
C	30,000
d1	3,500
d2	6,000

DIMENSIONS, MM

h	7,500
h1	4,500
L max	800,000
aL	10,000
aR	10,000
F	M3x0.5x3

WEIGHT

Slide weight	0,058
Rail weight	0,095

MANUFACTURER

[THK](#)

INTERCHANGE

ABC	LE09UL
NSK	LE09UL
IKO	LWLF18..B
HIWIN	MGW9H