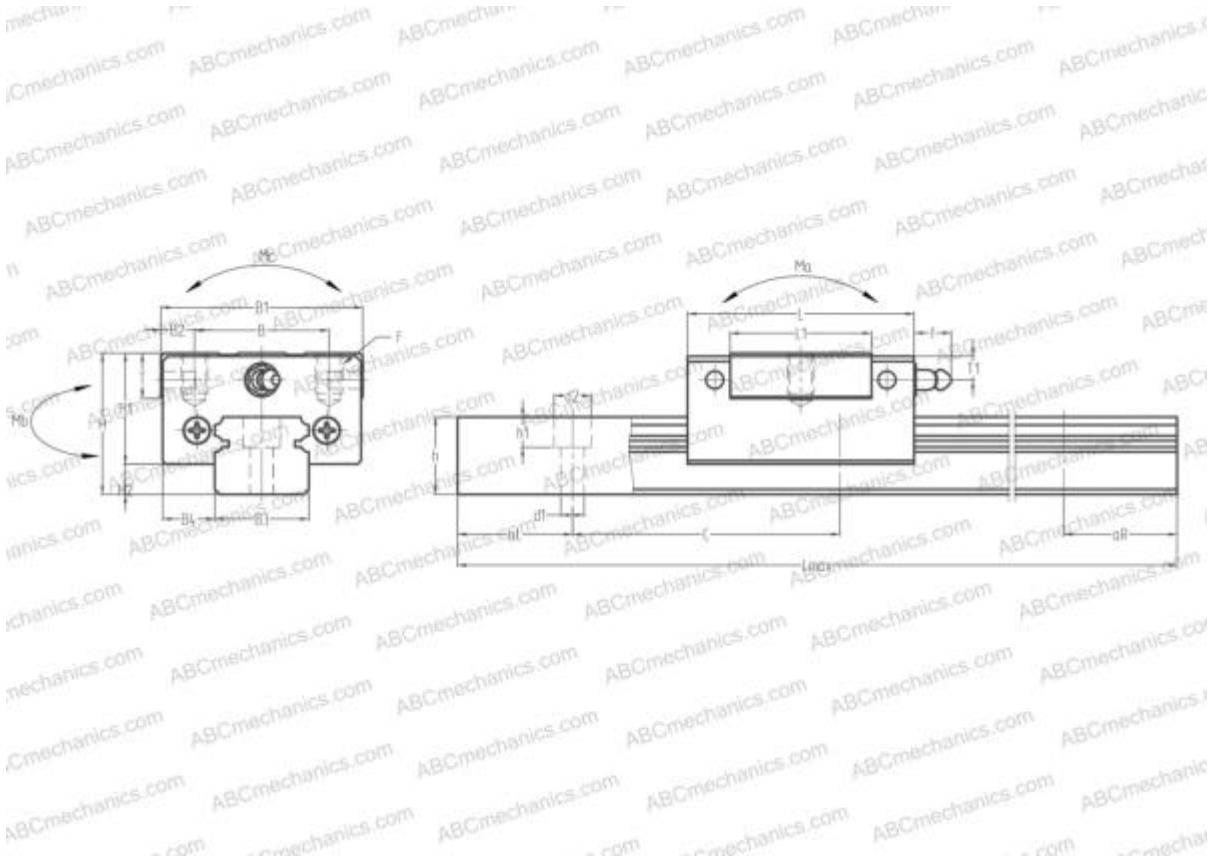


LU05TL NSK

Linear guides

TYPE: Monorail guidance systems, Recirculating balls, Four directional iso-load carrying type, Miniature, Square type, Low, Ball slide length - standard, Mounting tap



Technical specification

DIMENSIONS, MM

| | |
|----|--------|
| B1 | 12,000 |
| H | 6,000 |
| L | 18,000 |
| B | 8,000 |
| L1 | 12,000 |
| D2 | 2,500 |
| B2 | 2,000 |
| B3 | 5,000 |
| B4 | 3,500 |
| H1 | 5,000 |
| H2 | 1,000 |
| C | 15,000 |
| d1 | 2,300 |
| d2 | 3,300 |
| h | 3,200 |

CALCULATION DATA

| | |
|-------------------------------|------------|
| Basic static load rating, Co | 0,620 kN |
| Static permissible moment, Ma | 0,001 kN-m |
| Static permissible moment, Mb | 0,001 kN-m |
| Static permissible moment, Mc | 0,003 kN-m |

DIMENSIONS, MM

| | |
|-------|------------|
| h1 | 1,500 |
| L max | 210,000 |
| aL | 5,000 |
| aR | 5,000 |
| F | M2x0.4x1.5 |

WEIGHT

| | |
|--------------|-------|
| Slide weight | 0,004 |
| Rail weight | 0,011 |

MANUFACTURER

[NSK](#)

INTERCHANGE

| | |
|-----|-------------------------|
| ABC | LU05TL |
| THK | RSR5M |
| IKO | LWL5..B |

CALCULATION DATA

| | |
|------------------------------|----------|
| Basic dynamic load rating, C | 0,430 kN |
|------------------------------|----------|