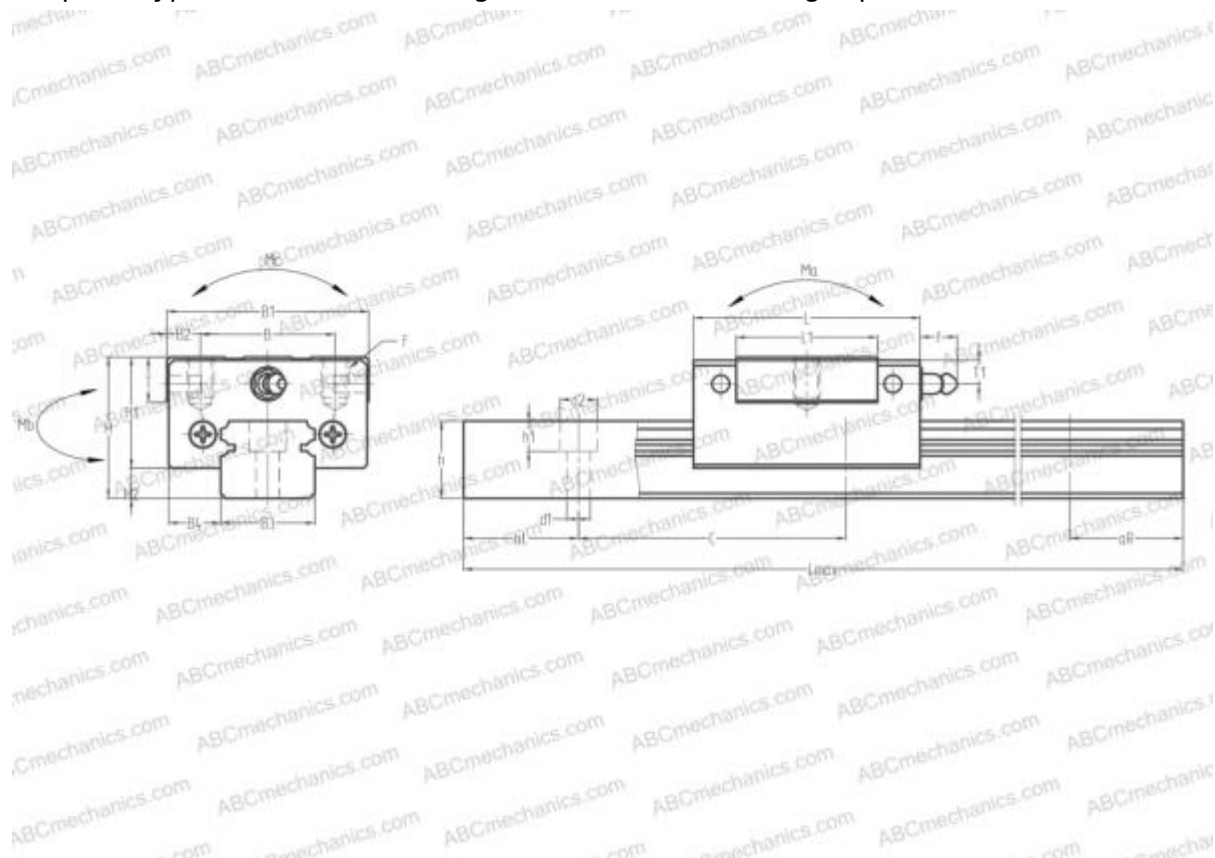


## MGN9C HIWIN

Linear guides

TYPE: Monorail guidance systems, Recirculating balls, Four directional iso-load carrying type, Miniature, Square type, Low, Ball slide length - standard, Mounting tap



### Technical specification

#### DIMENSIONS, MM

B1	20,000
H	10,000
L	27,000
B	15,000
J	10,000
L1	18,000
D2	4,500
B2	2,500
B3	9,000
B4	5,500
H1	7,800
H2	2,200
C	20,000
d1	3,500
d2	6,000

#### DIMENSIONS, MM

h	5,500
h1	4,500
L max	1200,000
aL	7,500
aR	7,500
F	M3x0.5x3

#### WEIGHT

Slide weight	0,017
Rail weight	0,035

#### MANUFACTURER

[HIWIN](#)

#### INTERCHANGE

ABC	<a href="#">LU09TL</a>
NSK	<a href="#">LU09TL</a>
THK	<a href="#">RSR9KM</a>
IKO	<a href="#">LWL9..B</a>



## INTERCHANGE

NB	<a href="#">SEBS9A</a>
ABC	<a href="#">LU09TR</a>
NSK	<a href="#">LU09TR</a>
THK	<a href="#">RSH9KM</a>
STAR	<a href="#">0442-8</a>

