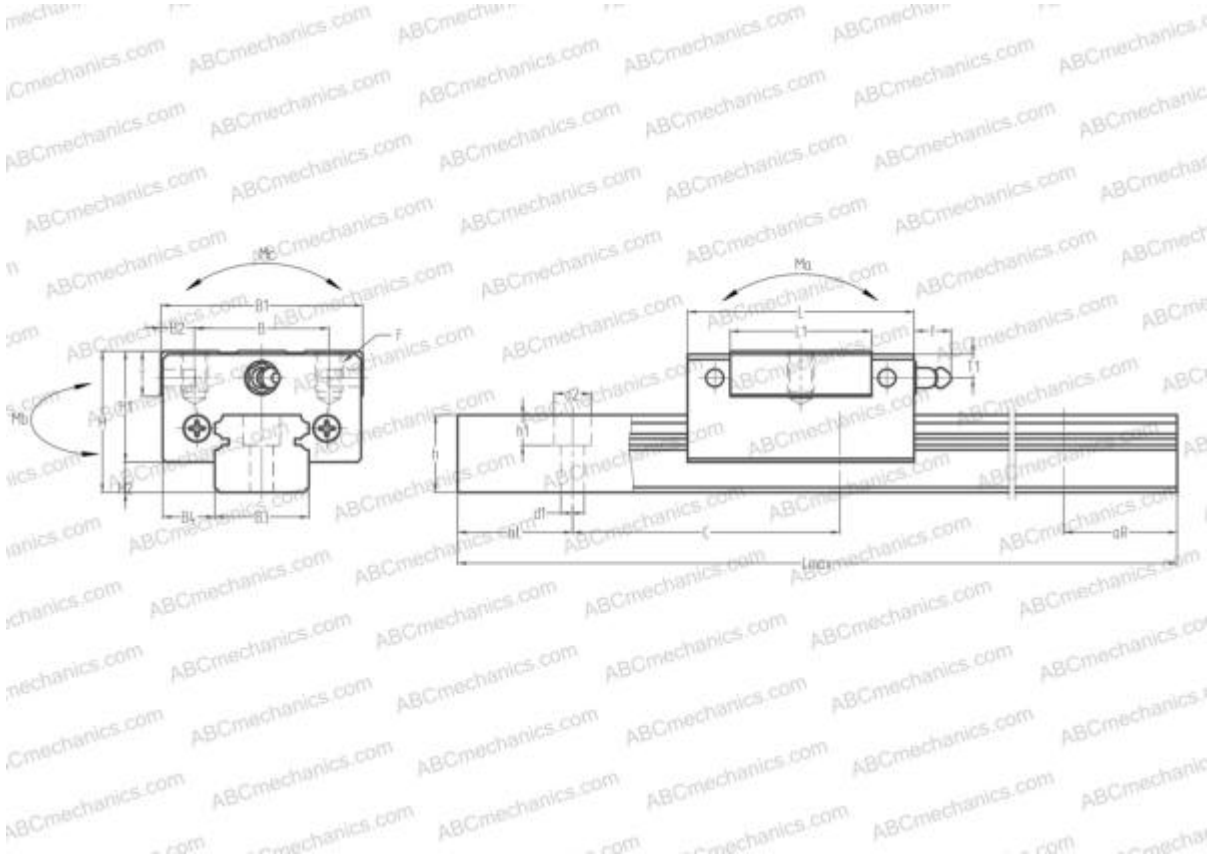


## LU09AR NSK

Linear guides

TYPE: Monorail guidance systems, Recirculating balls, Four directional iso-load carrying type, Miniature, Square type, Low, Ball slide length - standard, Mounting tap



### Technical specification

## DIMENSIONS, MM

B1	20,000
H	10,000
L	30,000
B	15,000
J	13,000
L1	20,000
D2	4,500
B2	2,500
B3	9,000
B4	5,500
H1	7,800
H2	2,200
C	20,000
d1	2,600
d2	4,500

## CALCULATION DATA

Basic static load rating, Co	1,770 kN
Static permissible moment, Ma	0,005 kN-m
Static permissible moment, Mb	0,005 kN-m
Static permissible moment, Mc	0,009 kN-m

## INCLUDED PRODUCTS

LAU09AR

## DIMENSIONS, MM

h	5,500
h1	3,000
L max	600,000
aL	7,500
aR	7,500
F	M2x0.4x2.5

## WEIGHT

Slide weight	0,019
Rail weight	0,035

## MANUFACTURER

[NSK](#)

## INTERCHANGE

ABC	<a href="#">LU09AR</a>
STAR	<a href="#">0442-9</a>

## CALCULATION DATA

Basic dynamic load rating, C	1,180 kN
------------------------------	----------