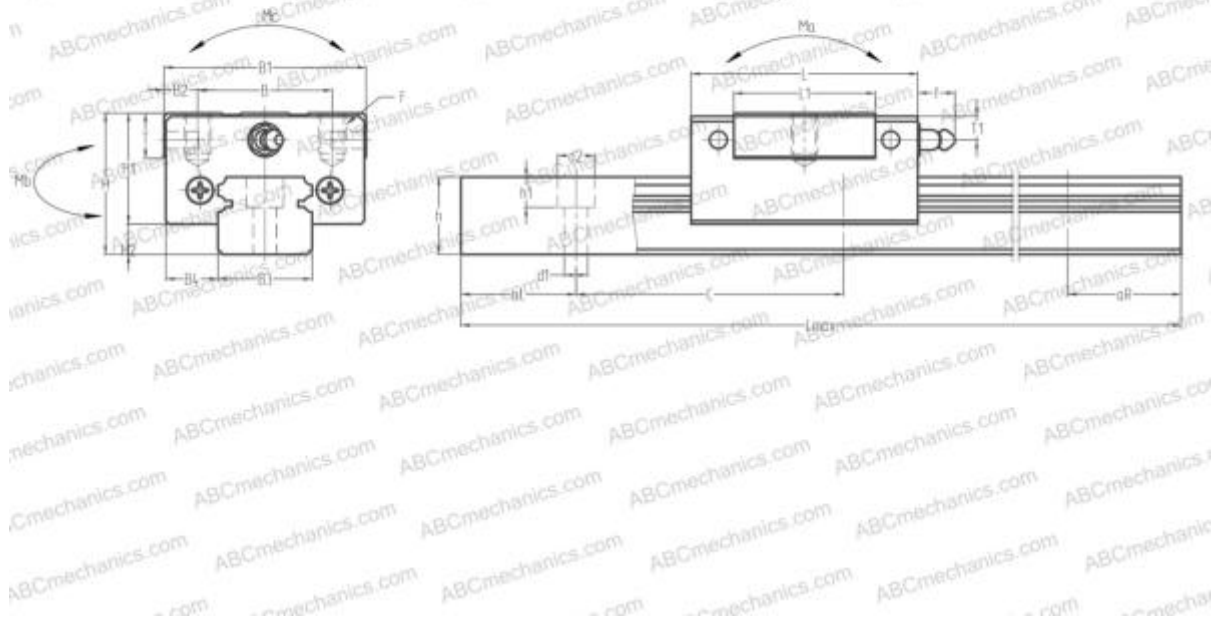


## 0442-9 STAR

Linear guides

TYPE: Monorail guidance systems, Recirculating balls, Four directional iso-load carrying type, Miniature, Square type, Low, Ball slide length - standard, Mounting tap



### Technical specification

#### DIMENSIONS, MM

B1	20,000
H	10,000
L	30,000
B	15,000
J	13,000
L1	20,000
D2	4,500
B2	2,500
B3	9,000
B4	5,500
H1	7,800
H2	2,200
C	20,000
d1	2,600
d2	4,500

#### DIMENSIONS, MM

h	5,500
h1	3,000
L max	600,000
aL	7,500
aR	7,500
F	M2x0.4x2.5

#### WEIGHT

Slide weight	0,019
Rail weight	0,035

#### MANUFACTURER

[STAR](#)

#### INTERCHANGE

ABC	<a href="#">LU09AR</a>
NSK	<a href="#">LU09AR</a>