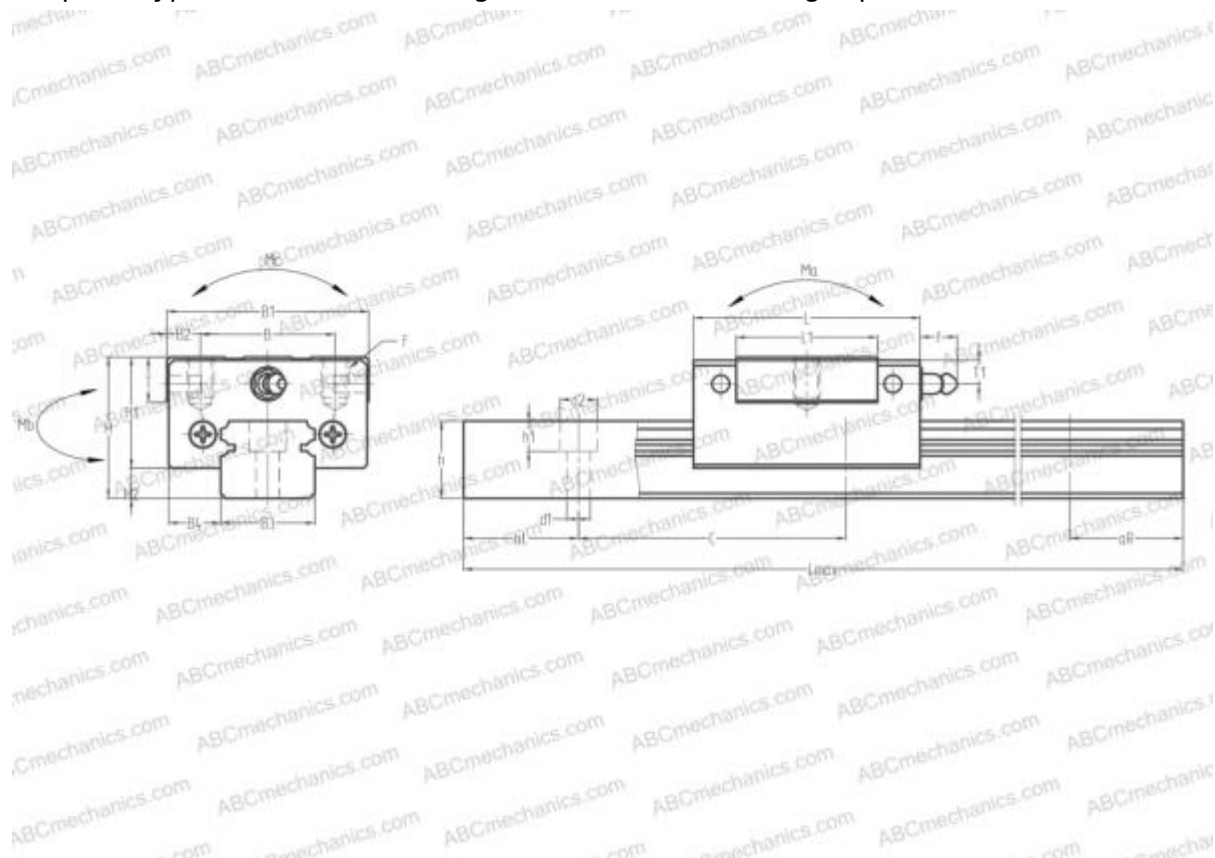


RSH9KM THK

Linear guides

TYPE: Monorail guidance systems, Recirculating balls, Four directional iso-load carrying type, Miniature, Square type, Low, Ball slide length - standard, Mounting tap



Technical specification

DIMENSIONS, MM

B1	20,000
H	10,000
L	30,000
B	15,000
J	10,000
L1	20,000
D2	4,500
B2	2,500
B3	9,000
B4	5,500
H1	7,800
H2	2,200
C	20,000
d1	3,500
d2	6,000

DIMENSIONS, MM

h	5,500
h1	4,500
L max	600,000
aL	7,500
aR	7,500
F	M3x0.5x3

WEIGHT

Slide weight	0,019
Rail weight	0,035

MANUFACTURER

[THK](#)

INTERCHANGE

ABC	LU09TR
NSK	LU09TR
IKO	LWL9..B
STAR	0442-8

INTERCHANGE

ABC	LU09TL
NSK	LU09TL
THK	RSR9KM
HIWIN	MGN9C
NB	SEBS9A