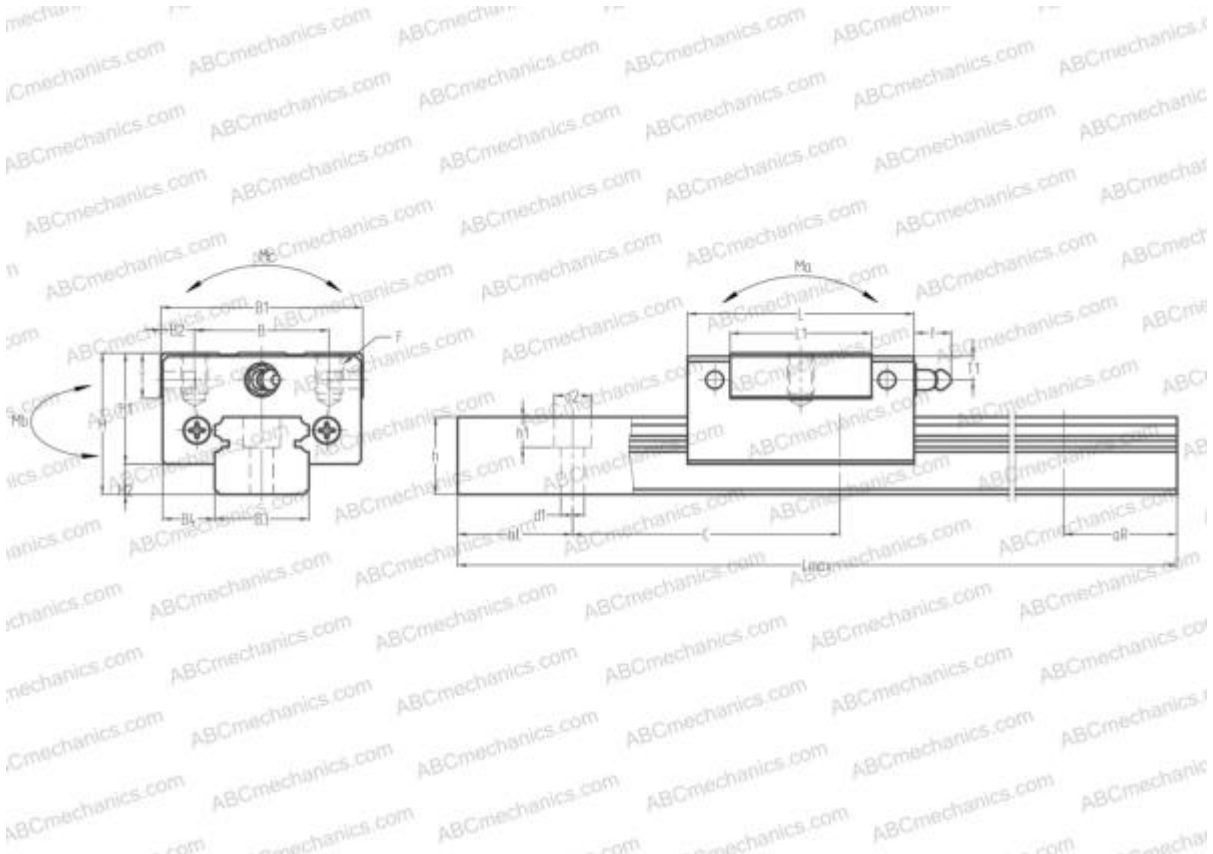


LU15AL ABC

Linear guides

TYPE: Monorail guidance systems, Recirculating balls, Four directional iso-load carrying type, Miniature, Square type, Low, Ball slide length - standard, Mounting tap



Technical specification

DIMENSIONS, MM

B1	32,000
H	16,000
L	43,600
B	25,000
J	20,000
L1	27,000
D2	7,500
B2	3,500
B3	15,000
B4	8,500
H1	12,000
H2	4,000
C	40,000
d1	3,500
d2	6,000

DIMENSIONS, MM

h	9,500
h1	4,500
L max	2000,000
aL	15,000
aR	15,000
F	M3x0.5x4

WEIGHT

Slide weight	0,070
Rail weight	0,105

MANUFACTURER

[ABC](#)

INTERCHANGE

NSK	LU15AL
THK	RSR15VM
IKO	LWL15..B
HIWIN	MGN15C



INTERCHANGE

STAR	0442-5
INA	KUME 15
NB	SEBS15A

