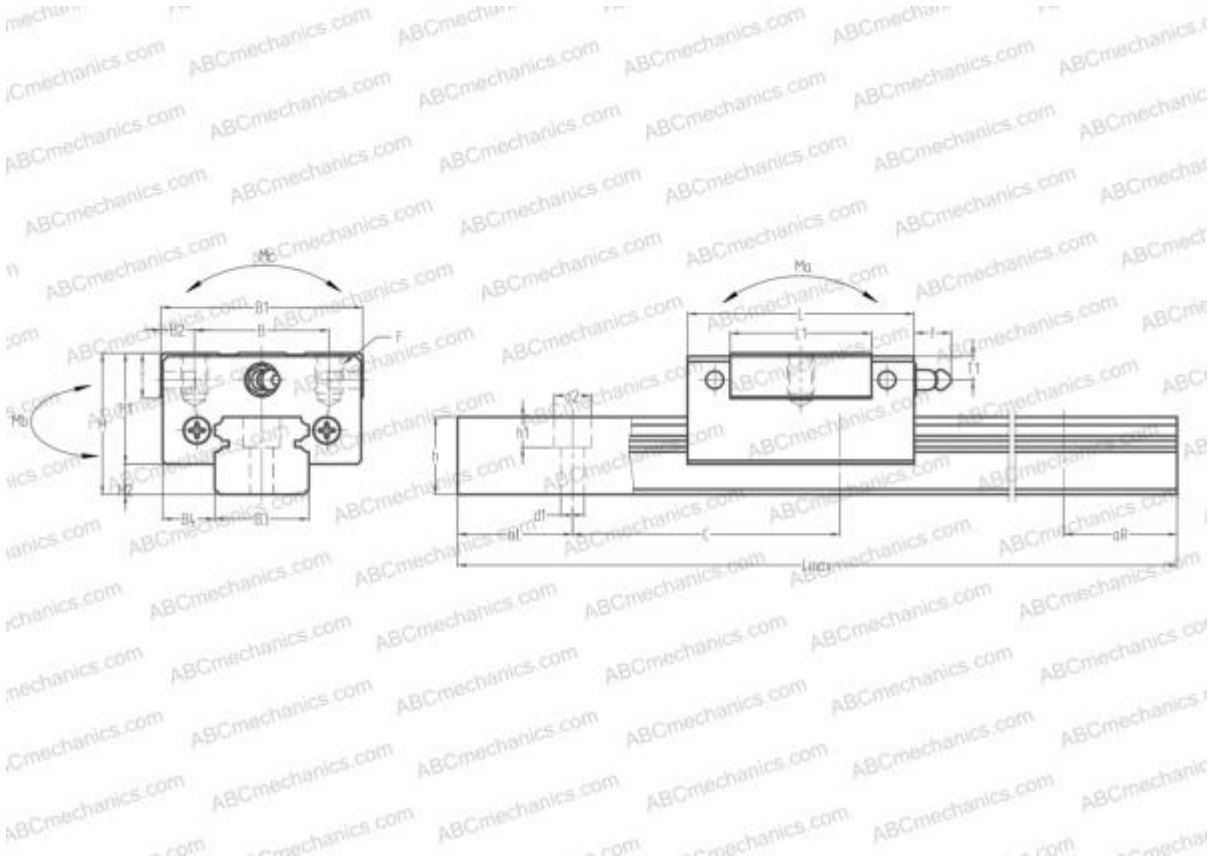


## RSR15VM THK

Linear guides

TYPE: Monorail guidance systems, Recirculating balls, Four directional iso-load carrying type, Miniature, Square type, Low, Ball slide length - standard, Mounting tap



### Technical specification

#### DIMENSIONS, MM

B1	32,000
H	16,000
L	43,600
B	25,000
J	20,000
L1	27,000
D2	7,500
B2	3,500
B3	15,000
B4	8,500
H1	12,000
H2	4,000
C	40,000
d1	3,500
d2	6,000

#### DIMENSIONS, MM

h	9,500
h1	4,500
L max	2000,000
aL	15,000
aR	15,000
F	M3x0.5x4

#### WEIGHT

Slide weight	0,070
Rail weight	0,105

#### MANUFACTURER

[THK](#)

#### INTERCHANGE

ABC	<a href="#">LU15AL</a>
NSK	<a href="#">LU15AL</a>
IKO	<a href="#">LWL15..B</a>
HIWIN	<a href="#">MGN15C</a>



**INTERCHANGE**

STAR	<a href="#">0442-5</a>
INA	<a href="#">KUME 15</a>
NB	<a href="#">SEBS15A</a>

