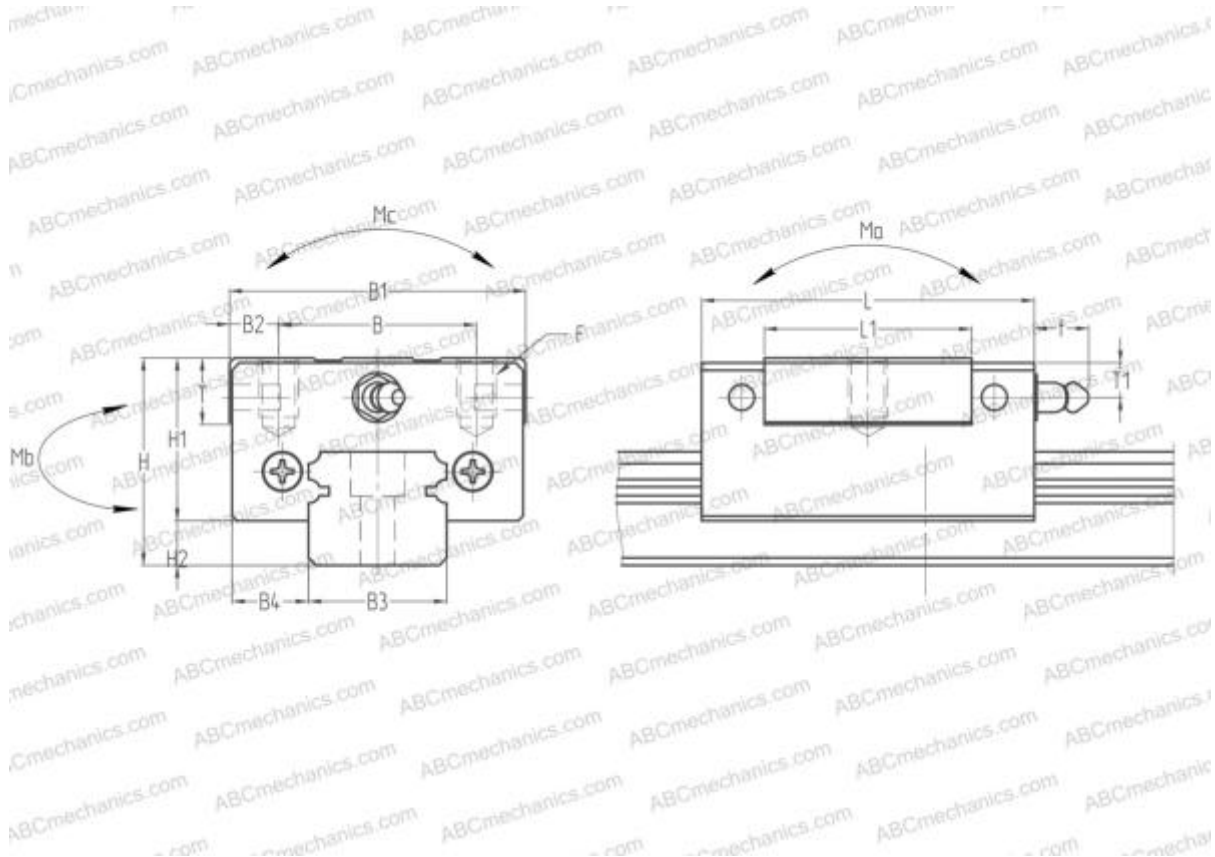


LAU09TR NSK

Linear guides

TYPE: Monorail guidance systems, Recirculating balls, Four directional iso-load carrying type, Miniature, Square type, Low, Ball slide length - standard, Mounting tap, Interchangeable part



Technical specification

DIMENSIONS, MM

B1	20,000
H	10,000
L	30,000
B	15,000
J	10,000
L1	20,000
D2	4,500
B2	2,500
B3	9,000
B4	5,500
H1	7,800
H2	2,200
F	M3x0.5x3

MANUFACTURER

[NSK](#)

CALCULATION DATA

Basic dynamic load rating, C	1,180 kN
Basic static load rating, Co	1,770 kN
Static permissible moment, Ma	0,005 kN-m
Static permissible moment, Mb	0,005 kN-m
Static permissible moment, Mc	0,009 kN-m

SLIDE WEIGHT 0,019