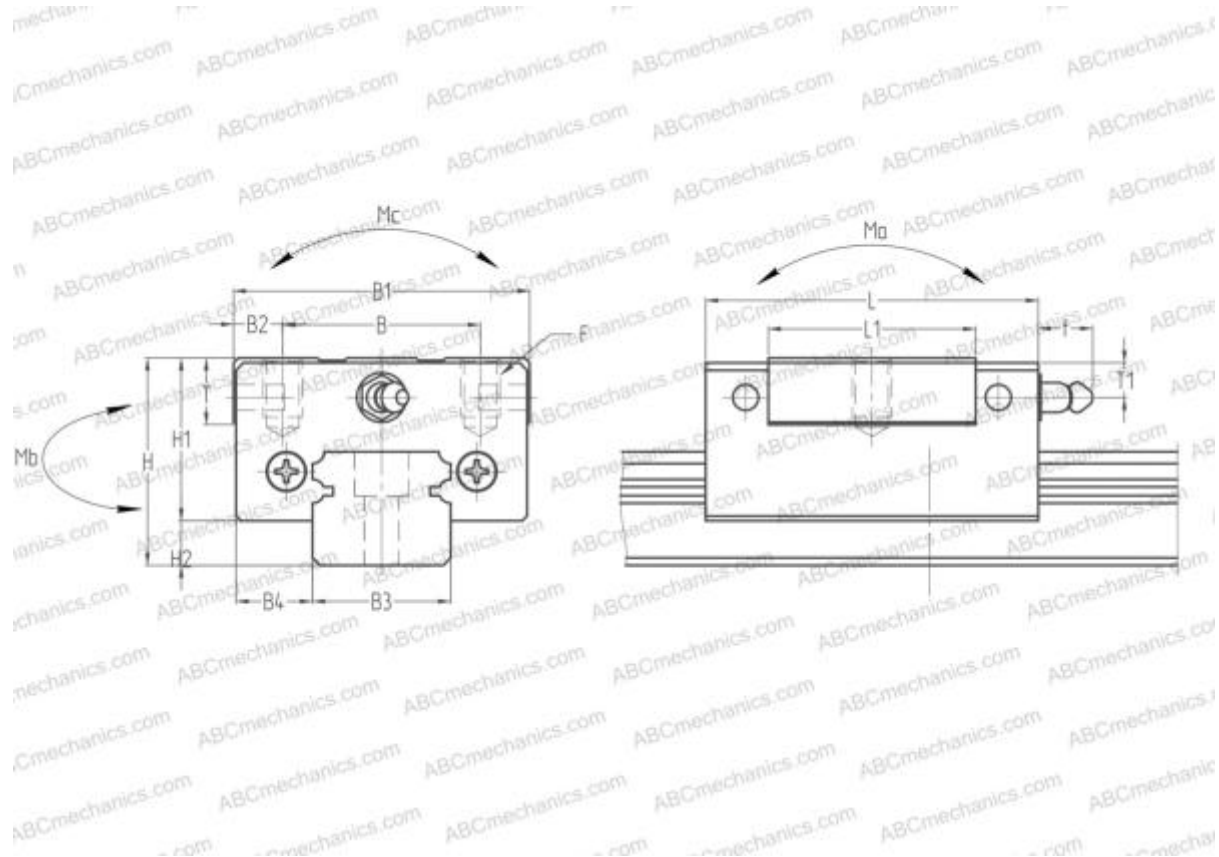


LAU12AR NSK

Linear guides

TYPE: Monorail guidance systems, Recirculating balls, Four directional iso-load carrying type, Miniature, Square type, Low, Ball slide length - standard, Mounting tap, Interchangeable part



Technical specification

DIMENSIONS, MM

B1	27,000
H	13,000
L	35,200
B	20,000
J	15,000
L1	21,800
D2	6,000
B2	3,500
B3	12,000
B4	7,500
H1	10,000
H2	3,000
F	M2.5x0.45x3

MANUFACTURER

[NSK](#)

CALCULATION DATA

Basic dynamic load rating, C	2,160 kN
Basic static load rating, Co	2,450 kN
Static permissible moment, Ma	0,012 kN-m
Static permissible moment, Mb	0,012 kN-m
Static permissible moment, Mc	0,022 kN-m

SLIDE WEIGHT 0,038