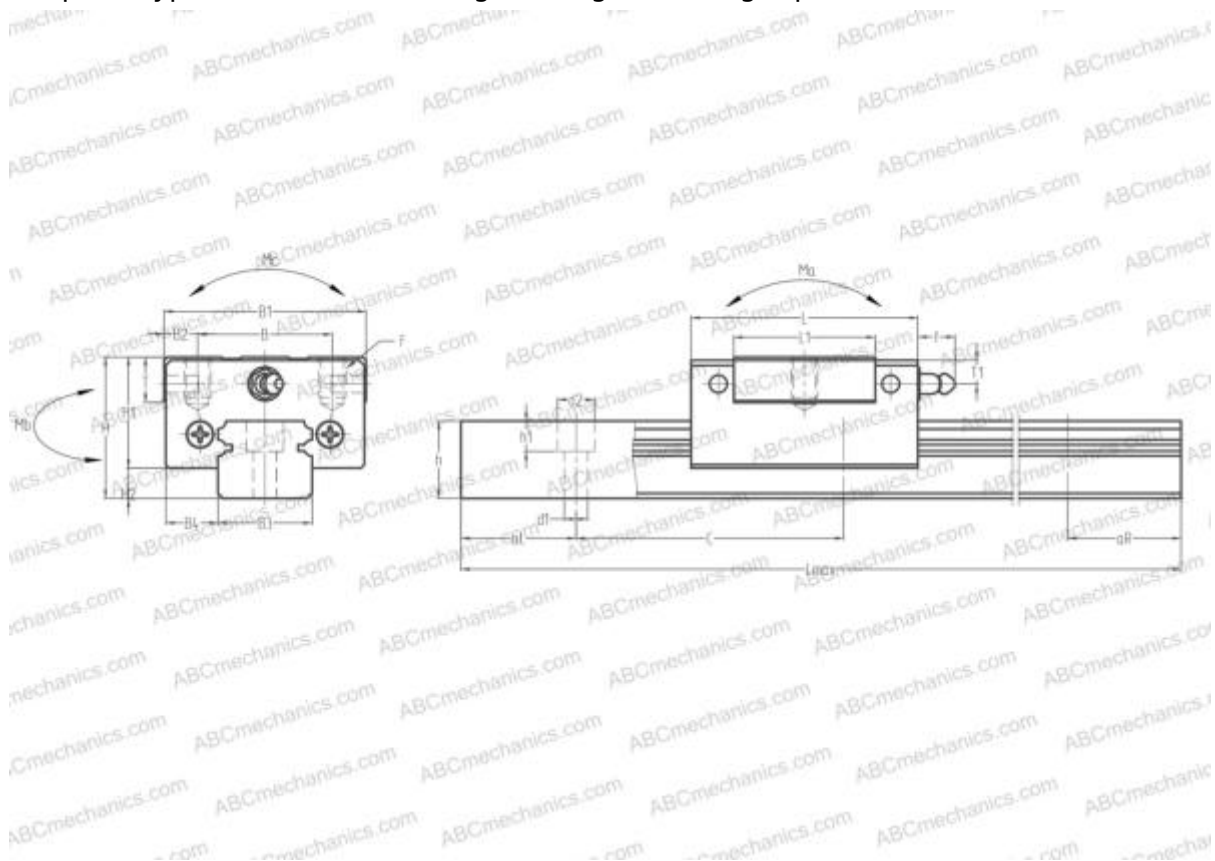


LU09BL ABC

Linear guides

TYPE: Monorail guidance systems, Recirculating balls, Four directional iso-load carrying type, Miniature, Square type, Low, Ball slide length - long, Mounting tap



Technical specification

DIMENSIONS, MM

B1	20,000
H	10,000
L	41,000
B	15,000
J	16,000
L1	31,200
B2	2,500
B3	9,000
B4	5,500
H1	7,800
H2	2,200
C	20,000
d1	2,600
d2	4,500
h	5,500

DIMENSIONS, MM

h1	3,000
L max	1200,000
aL	7,500
aR	7,500
F	M2x0.4x2.5

WEIGHT

Slide weight	0,029
Rail weight	0,035

MANUFACTURER

[ABC](#)

INTERCHANGE

NSK	LU09BL
-----	------------------------