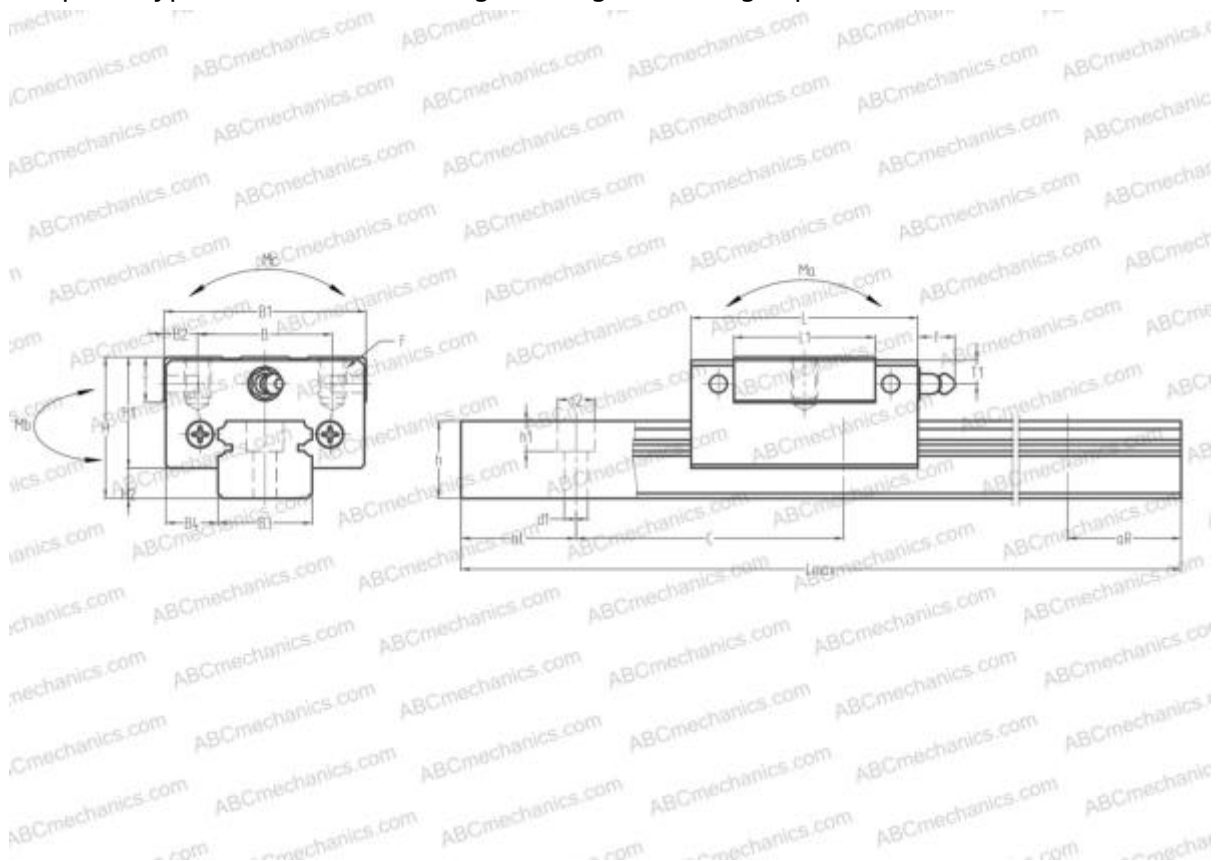


LU12BL ABC

Linear guides

TYPE: Monorail guidance systems, Recirculating balls, Four directional iso-load carrying type, Miniature, Square type, Low, Ball slide length - long, Mounting tap



Technical specification

DIMENSIONS, MM

B1	27,000
H	13,000
L	47,500
B	20,000
J	20,000
L1	35,300
B2	3,500
B3	12,000
B4	7,500
H1	10,000
H2	3,000
C	25,000
d1	3,000
d2	5,500
h	7,500

DIMENSIONS, MM

h1	3,500
L max	1800,000
aL	10,000
aR	10,000
F	M2.5x0.45x3

WEIGHT

Slide weight	0,059
Rail weight	0,065

MANUFACTURER

[ABC](#)

INTERCHANGE

NSK	LU12BL
-----	------------------------