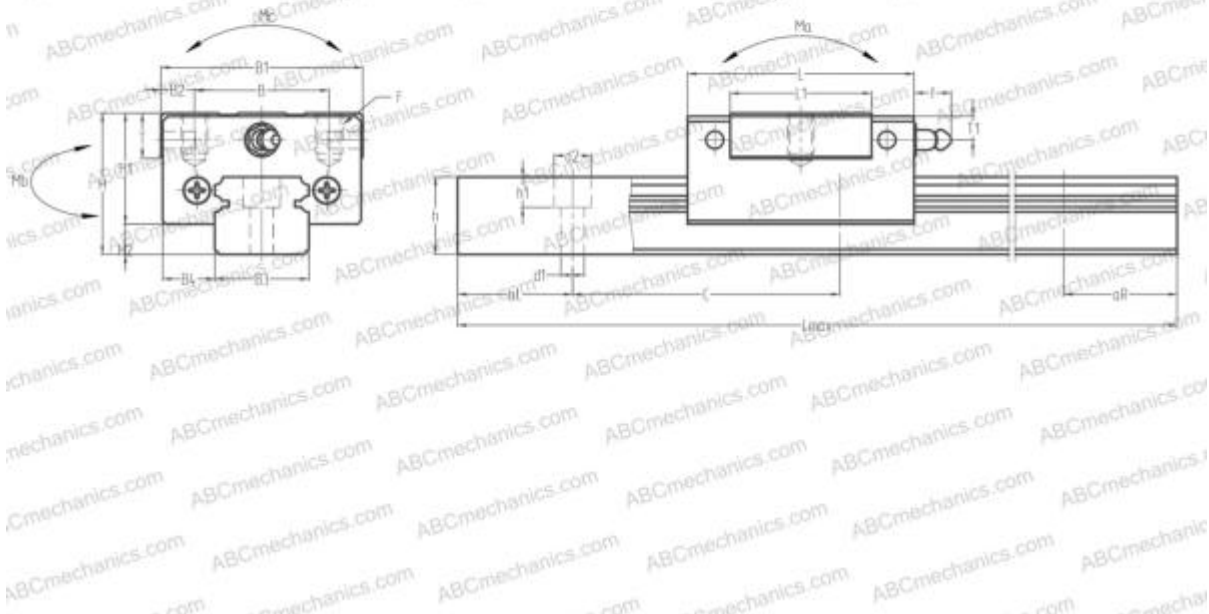


## LU12UL NSK

Linear guides

TYPE: Monorail guidance systems, Recirculating balls, Four directional iso-load carrying type, Miniature, Square type, Low, Ball slide length - long, Mounting tap



### Technical specification

#### DIMENSIONS, MM

B1	27,000
H	13,000
L	47,500
B	20,000
J	20,000
L1	35,300
B2	3,500
B3	12,000
B4	7,500
H1	10,000
H2	3,000
C	25,000
d1	3,500
d2	6,000
h	7,500

#### DIMENSIONS, MM

h1	4,500
L max	1800,000
aL	10,000
aR	10,000
F	M3x0.5x3.5

#### WEIGHT

Slide weight	0,059
Rail weight	0,065

#### MANUFACTURER

[NSK](#)

#### INTERCHANGE

ABC	<a href="#">LU12UL</a>
THK	<a href="#">RSR12N</a>
IKO	<a href="#">LWLG12..B</a>
HIWIN	<a href="#">MGN12H</a>

**CALCULATION DATA**

Basic dynamic load rating, C	3,150 kN
Basic static load rating, Co	4,700 kN
Static permissible moment, Ma	0,025 kN-m
Static permissible moment, Mb	0,025 kN-m
Static permissible moment, Mc	0,028 kN-m