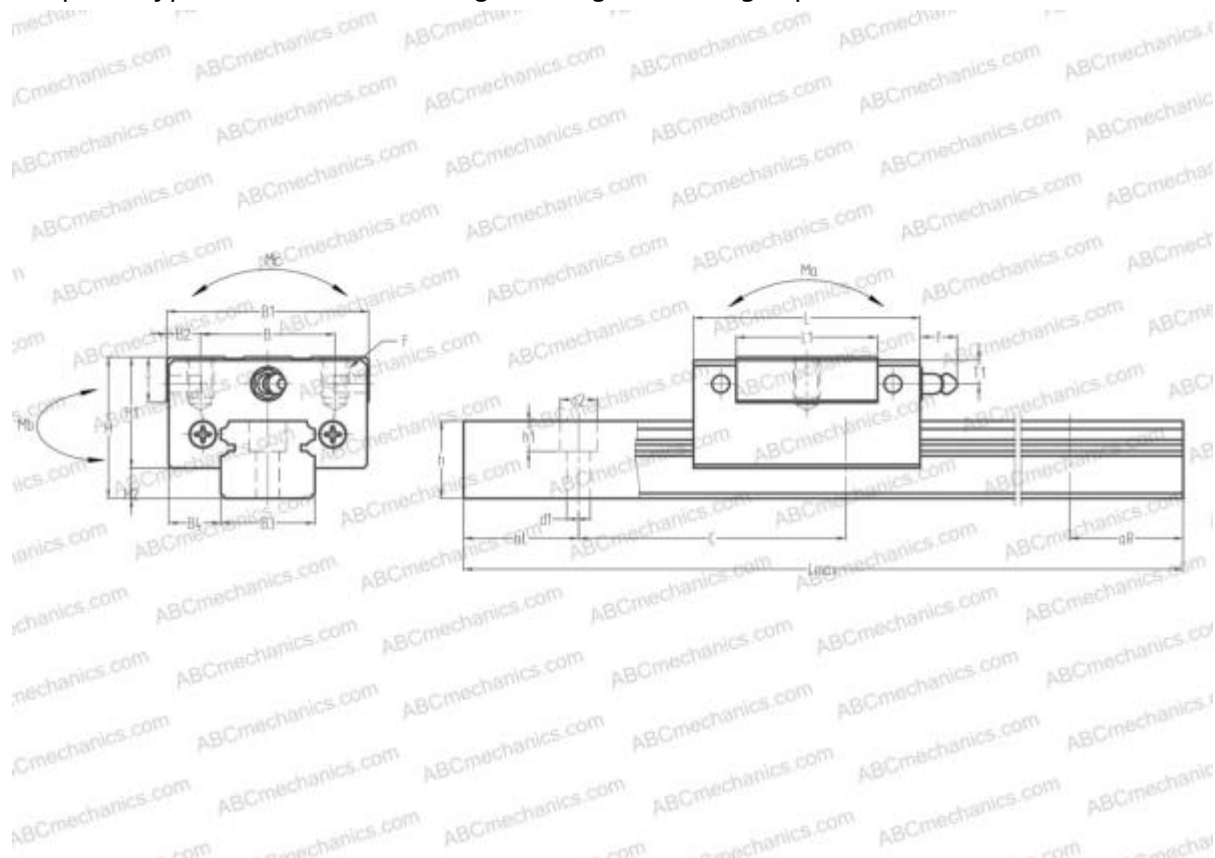


LU15BL ABC

Linear guides

TYPE: Monorail guidance systems, Recirculating balls, Four directional iso-load carrying type, Miniature, Square type, Low, Ball slide length - long, Mounting tap



Technical specification

DIMENSIONS, MM

B1	32,000
H	16,000
L	61,000
B	25,000
J	25,000
L1	44,400
B2	3,500
B3	15,000
B4	8,500
H1	12,000
H2	4,000
C	40,000
d1	3,500
d2	6,000
h	9,500

DIMENSIONS, MM

h1	4,500
L max	2000,000
aL	15,000
aR	15,000
F	M3x0.5x4

WEIGHT

Slide weight	0,107
Rail weight	0,105

MANUFACTURER

[ABC](#)

INTERCHANGE

NSK	LU15BL
THK	RSR15N
IKO	LWLG15..B
HIWIN	MGN15H