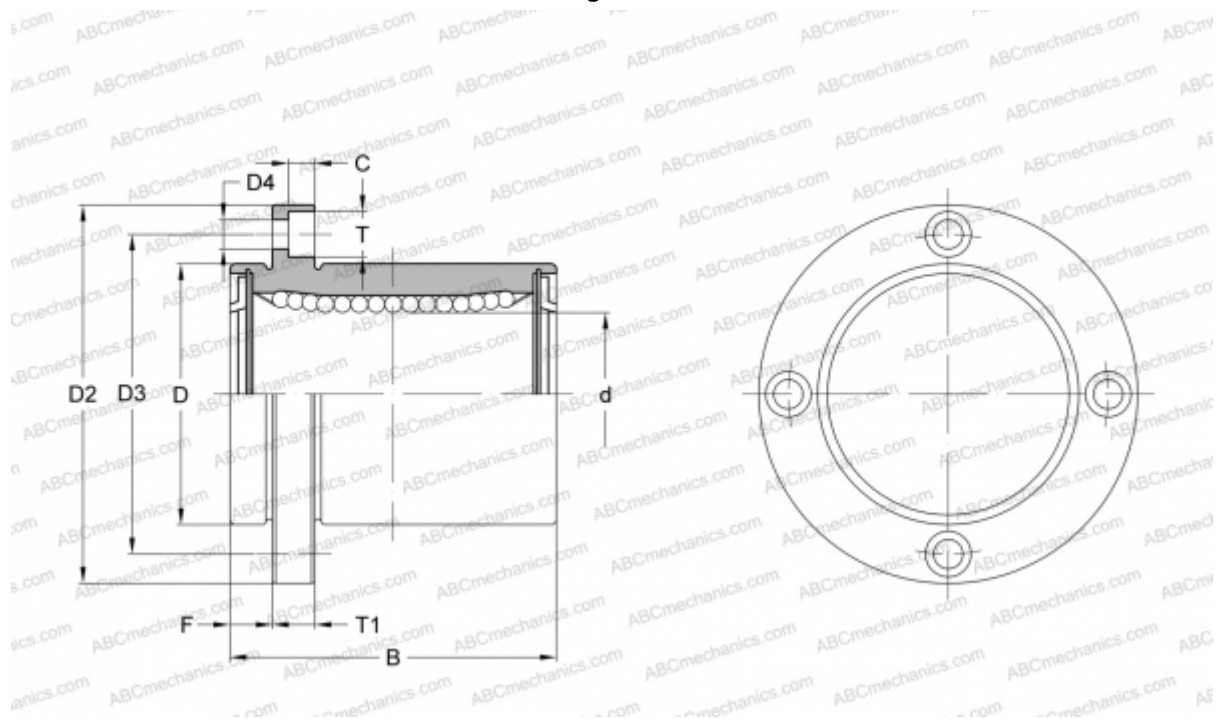


## SMSF 12UU-E NB

Linear bushing

TYPE: Shaft guidance systems, Linear bushing, Pilot flange location, Circular type, Type SMF..E, Asian standard, Corrosion resistance, Stainless steel cage (NB)



### Technical specification

#### DIMENSIONS, MM

d	12,000
D	21,000
B	30,000
D2	42,000
D3	32,000
D4	4,500
T	7,500
T1	6,000
C	4,100
F	6

**WEIGHT, KG** 0,076

**MANUFACTURER** [NB](#)