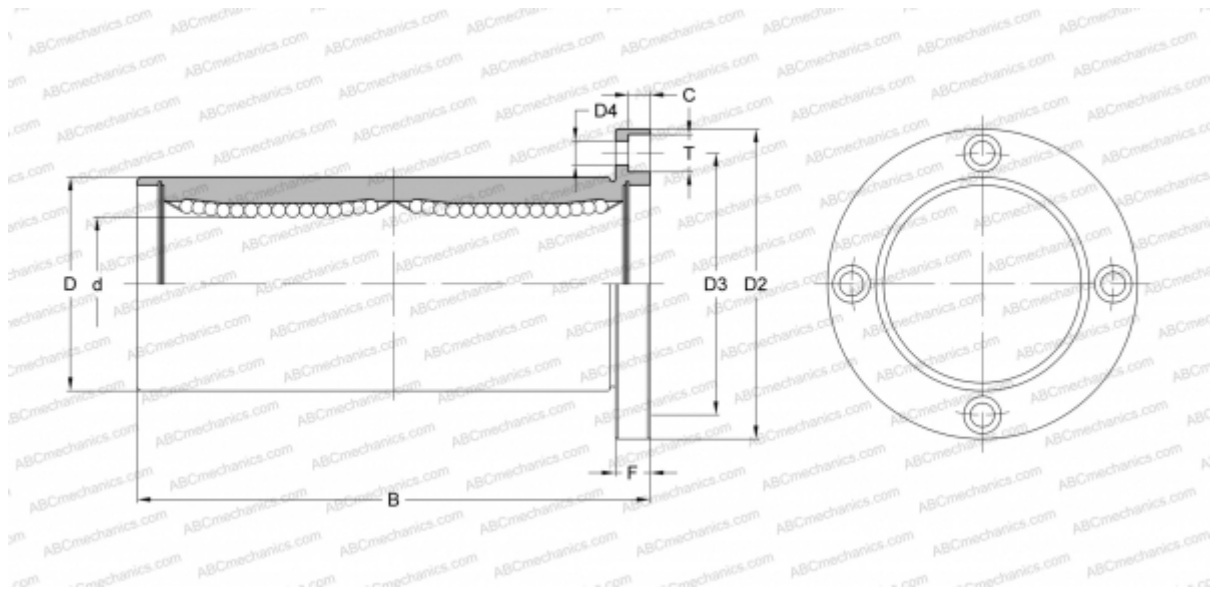


SMF 30W NB

Linear bushing

TYPE: Shaft guidance systems, Linear bushing, With flange, Circular type, double length, Type SMF..W, Asian standard, Steel cage (NB)



Technical specification

DIMENSIONS, MM

d	30,000
D	45,000
B	123,000
D2	74,000
D3	60,000
D4	6,600
T	11,000
C	6,100
F	10

WEIGHT, KG 0,680

MANUFACTURER [NB](#)