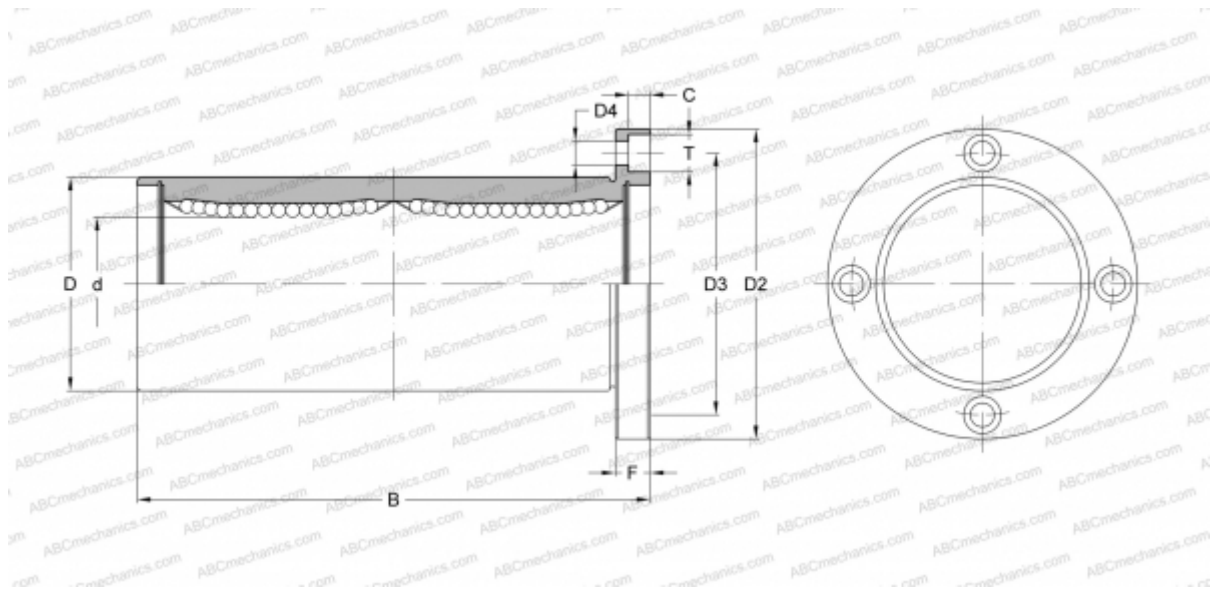


SMF 50GW NB

Linear bushing

TYPE: Shaft guidance systems, Linear bushing, With flange, Circular type, double length, Type SMF..W, Asian standard, Plastic cage (NB)



Technical specification

DIMENSIONS, MM

d	50,000
D	80,000
B	192,000
D2	116,000
D3	98,000
D4	9,000
T	14,000
C	8,100
F	13

WEIGHT, KG 3,600

MANUFACTURER [NB](#)