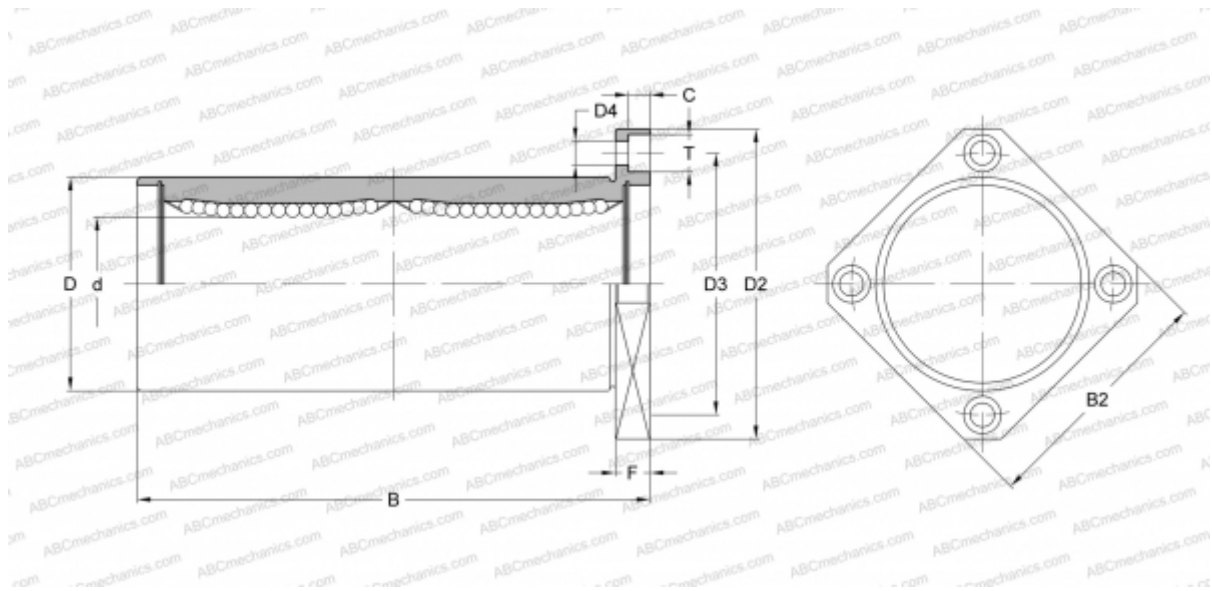


## SMK 50W NB

Linear bushing

TYPE: Shaft guidance systems, Linear bushing, With flange, Square type, double length, Type SMK..W, Asian standard, Steel cage (NB)



### Technical specification

#### DIMENSIONS, MM

d	50,000
D	80,000
B	192,000
D2	116,000
D3	98,000
D4	9,000
T	14,000
C	8,100
F	13

**WEIGHT, KG** 3,400

**MANUFACTURER** [NB](#)