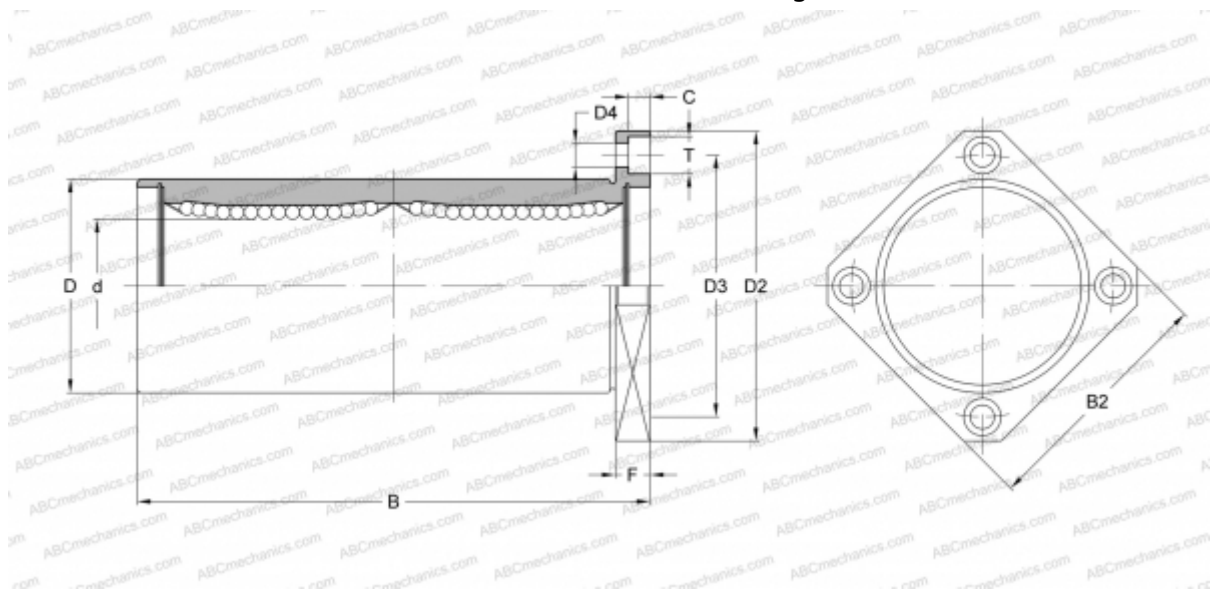


SMSK 13W NB

Linear bushing

TYPE: Shaft guidance systems, Linear bushing, With flange, Square type, double length, Type SMK..W, Asian standard, Corrosion resistance, Stainless steel cage (NB)



Technical specification

DIMENSIONS, MM

| | |
|----|--------|
| d | 13,000 |
| D | 23,000 |
| B | 61,000 |
| D2 | 43,000 |
| D3 | 33,000 |
| D4 | 4,500 |
| T | 7,500 |
| C | 4,100 |
| F | 6 |

WEIGHT, KG 0,108

MANUFACTURER [NB](#)