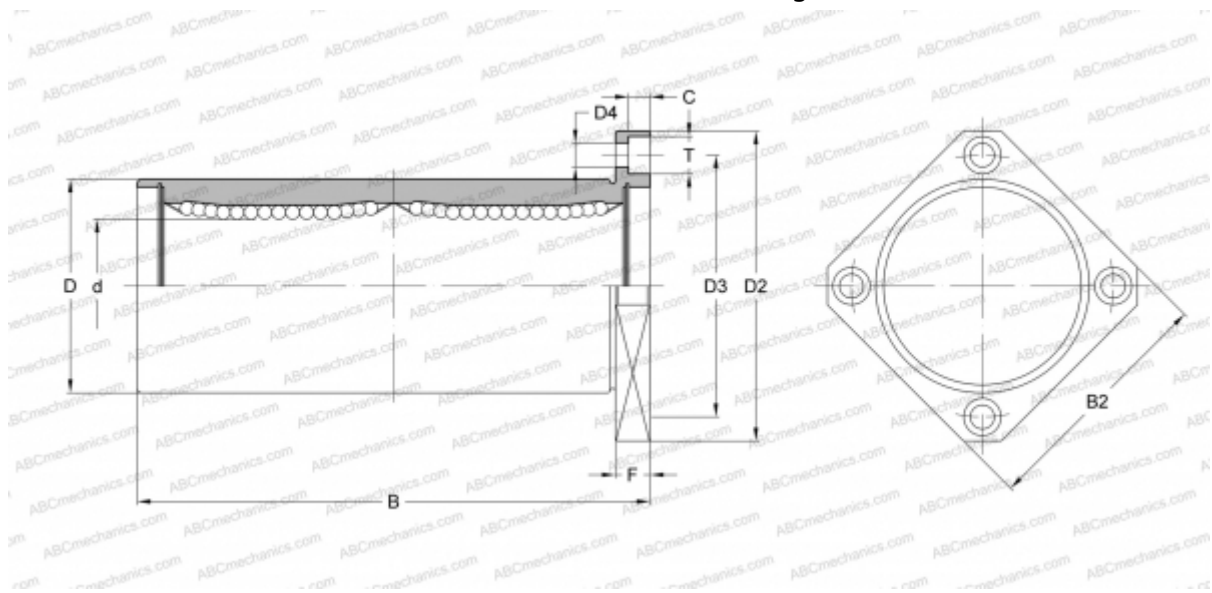


## SMSK 16W NB

Linear bushing

TYPE: Shaft guidance systems, Linear bushing, With flange, Square type, double length, Type SMK..W, Asian standard, Corrosion resistance, Stainless steel cage (NB)



### Technical specification

#### DIMENSIONS, MM

d	16,000
D	28,000
B	70,000
D2	48,000
D3	38,000
D4	4,500
T	7,500
C	4,100
F	6

**WEIGHT, KG** 0,165

**MANUFACTURER** [NB](#)